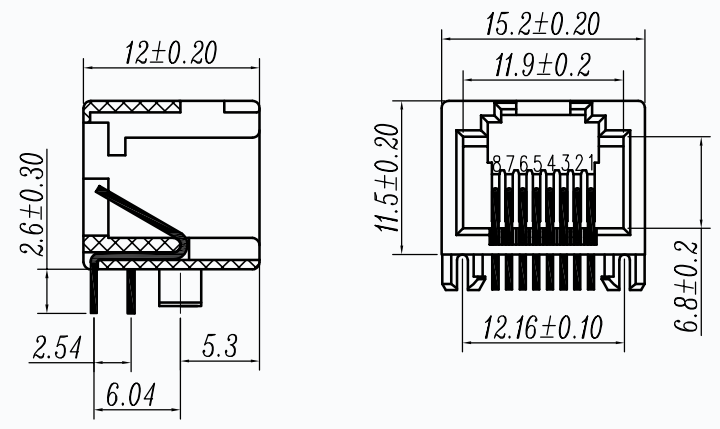


REV	MARK	ECN NO.	DESCRIPTION	NAME	DATE
A0	—	—	新图制定		2016/03/01



SPECIFICATIONS :

MATERIAL :

1. HOUSING MATERIAL: GLASS FILLED PA9T(UL94V-0).
2. CONTACT MATERIAL: PHOSPHOR BRONZE Φ0.46MM.
3. PLATING: GOLD PLATING Fu"-50u"OVER NICKEL.

ELECTRICAL :

1. VOLTAGE RATING: 125Vac RMS .
2. CURRENT RATING: 1.5AMP .
3. CONTACT RESISTANCE: 30mΩ MAX .
4. INSULATION RESISTANCE: 500MΩ MIN @ 500Vdc .
5. DIELECTRIC WITHSTANDING VOLTAGE: 1000Vac RMS 50Hz 1MIN.

MECHANICAL :

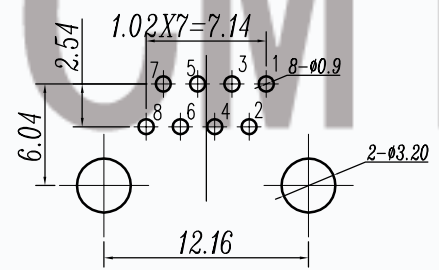
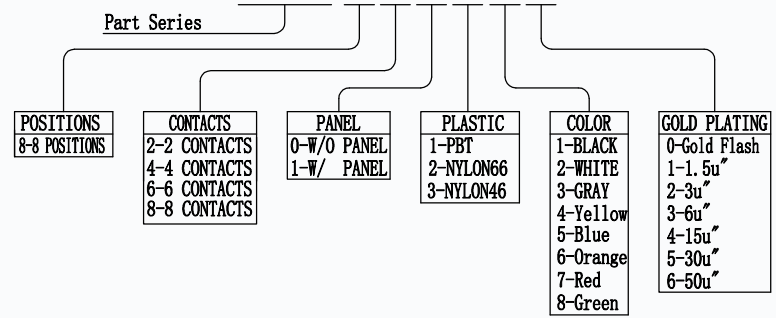
1. DURRABILITY : 750 CYCLES MIN.
2. INSETION FORCE: 2.2Kgf MAX.
3. RETENTION STRENGTH : 7.7Kgf MIN BETWEEN JACK AND PLUG.

ENVIRONMENTAL :

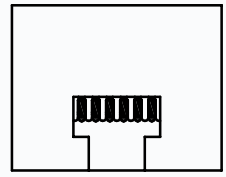
1. STORAGE TEMPRATURE : -40° C TO 85° C.
2. OPERATION TEMPRATURE : -40° C TO 70° C.

PART NUMBER :

T18- 8 X-X X X X



PC Board Layout
Top View



TOLERANCE UNLESS OTHERWISE SPEC		DESIGNED	ERIC	TITLE : T18-8X-XXXX
BASIC DIMENSION	TOLERANCE	CHECKED		
.X	±0.25	STANDARDIZED		PART NO. :
.XX	±0.15	APPROVED		DRAWING NO. :
.XXX	±0.05			
ANGLES	±0.5°			

SIZE	A4
UNIT	MM
SCALE	1:1
WEIGHT	
SHEET	第1页共1页
REV	A

CMTDDZ 东莞市田都科技有限公司
Dongguan TianDu Technology Co. Ltd.