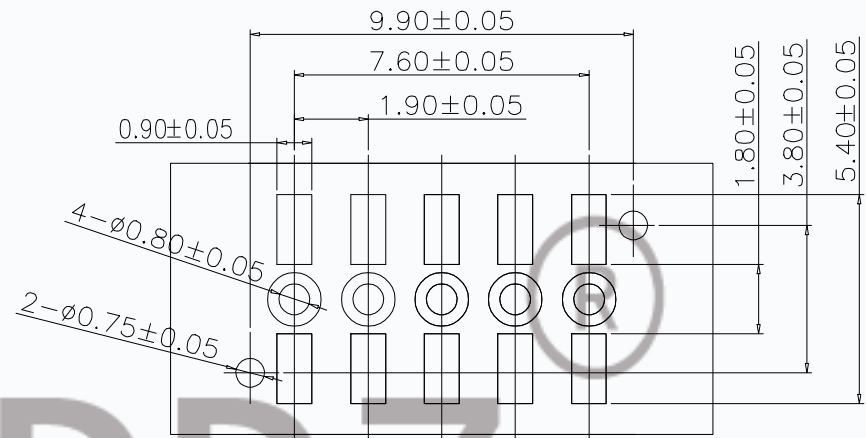
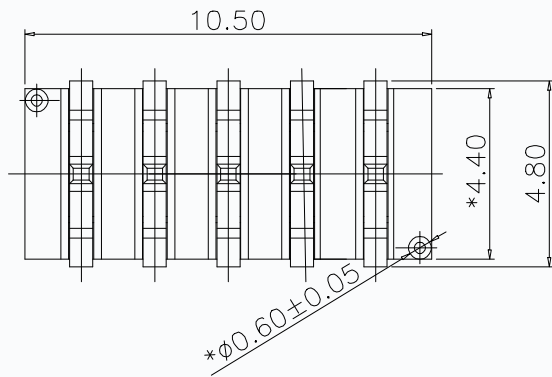


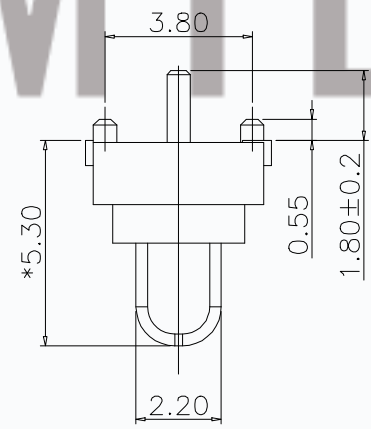
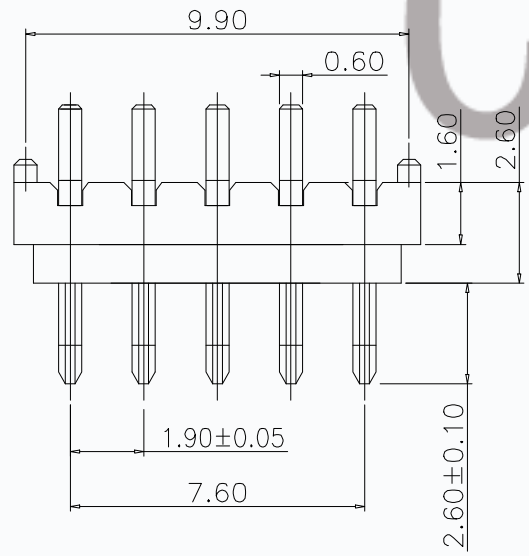
RoHS Compliant

结构图面

REV	DESCRIPTION	APPR	CHECK	DRAW	DATE
1	原始图档			ERIC	240827



Recommended P.C.Board Layout



- NOTES:
 1. MATERIAL:
 HOUSING: LCP 30% G/F UL94 V-0
 COLOR: BLACK
 CONTACT: COPPER ALLOY T=0.60mm
 2. FINISH:
 CONTACT: 1u" GOLD PLATING ON CONTACT AREA
 G/F PLATING ON SOLDER TAILS
 50u" MIN. NICKEL UNDERPLATING OVER ALL

QUALITY SYMBOLS	GENERAL TOLERANCES (UNLESS SPECIFIED)		SCALE:	NUMBER:	CMTDDZ 东莞市田都科技有限公司 Dongguan TianDu Technology Co. Ltd.
	MM	INCH	1:1		
▽-0	.X ±0.25	.X	INTERNAL:	EXT:	TITLE: MINI 1.9PH 5pin 5.3H DIP 公座
	.XX ±0.15	.XX	DESIGN BY	DATE	
	.XXX ±0.05	.XXX	CHECKED BY	DATE	
∇C-0	ANGULAR ±1'		APPROVED BY	DATE	THIRD ANGLE PROJECTION
	DRAFT WHERE APPLICABLE MUST REMAIN WITHIN DIMENSIONS				REVISE ON CAD ONLY
					PART NO. 726-19AM-EN-LCP SHEET NO. 1/1