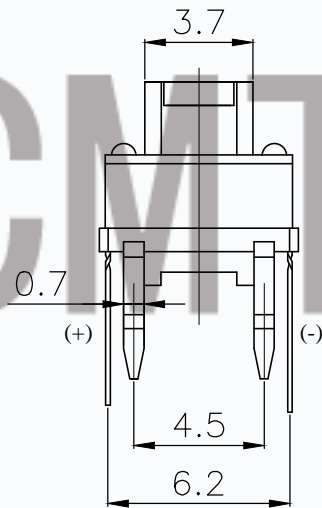
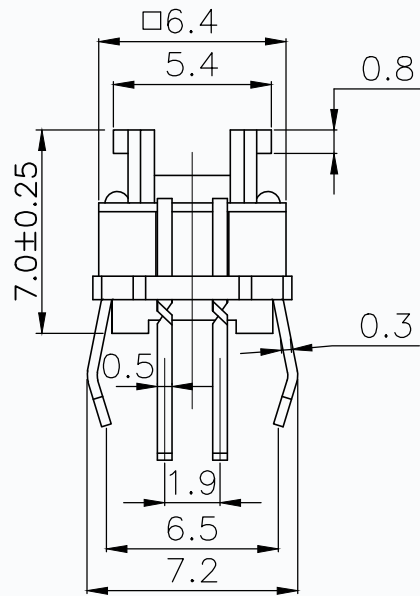
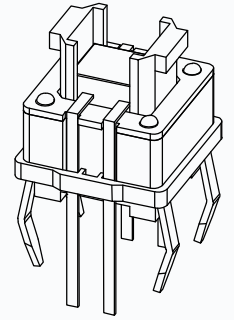
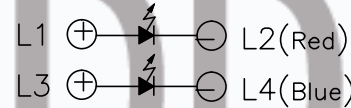
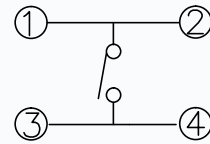


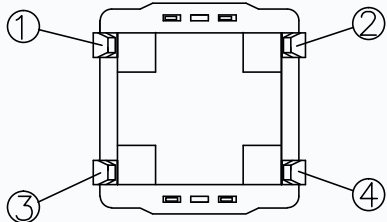
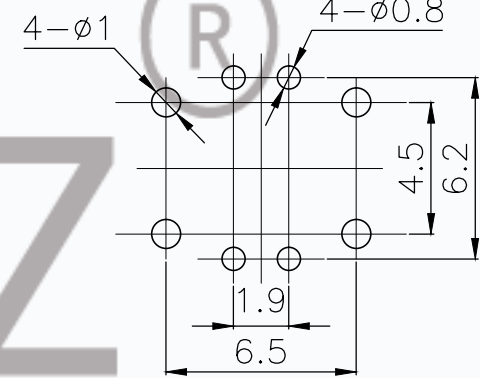
NOTES:
 1.RATING: 12VDC 50mA
 2.CONTACT RESISTANCE: 100mΩ Max
 3.INSULATION RESISTANCE: 100MΩ 250VDC FOR 1MIN
 4.DIELECTRIC STRENGTH: 250VAC(50/60Hz) FOR 1MIN
 5.LIFE TEST:100,000 CYCLES
 6.OPERATION FORCE: 160±50gl:250±50gl
 7.TRAVEL: 0.25±0.1mm



Circuit



P.C.B.Layout



6	LED	GaASP/Gap
5	COVER	PET
4	PUSH BUTTON	PA66
3	SPRING PLATE	PBS SILVER CLAD
2	CASE	PA66
1	TERMINAL	SILVER PLATED BRONZE
NO.	PART NAME	MATERIAL

0.000°±	0.000±	SCALE	5 : 1	EDITION	A	带灯按键开关
0.00°±0.5°	0.00±0.05	APPROVER/DATE		UNIT	m/m	东莞市田都科技有限公司
0.0°±1°	0.0±0.10	CHECKED/DATE			TYPE NO.	
0°±2°	0±0.20	DRAWN/DATE			T6-0000RU-S7	
ANGULAR		LINEAR				
TOLERANCE						