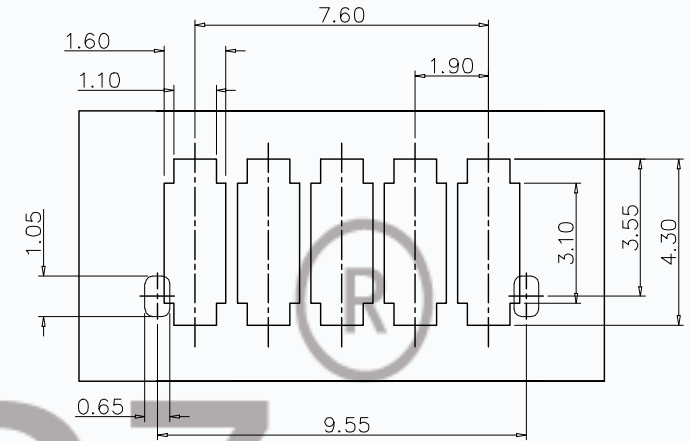
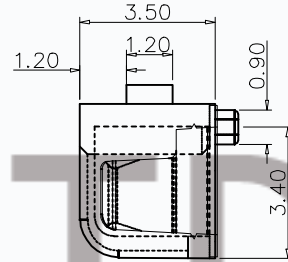
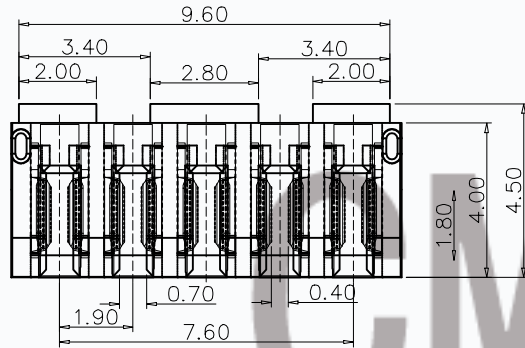
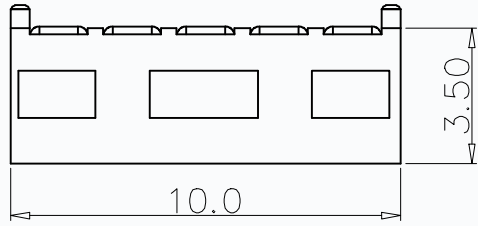


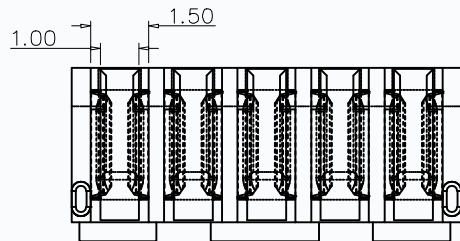
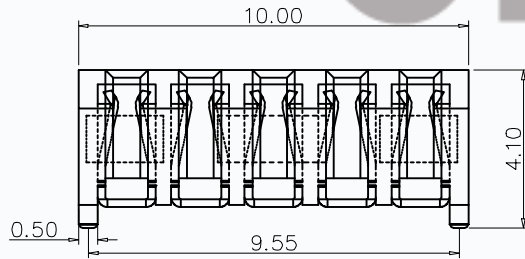
RoHS Compliant

结构图面

REV	DESCRIPTION	APPR	CHECK	DRAW	DATE
△	原始图档		JACK	Yang	221125



P. C. B LAYOUT
TOLERANCE: ±0.05



备注:

1. 额定电流: 3.0A (单PIN)
2. 额定电压: 30V(Max) AC/DC;
3. 绝缘耐压: AC 1KV 1分钟相邻端子间无损坏
4. 绝缘阻抗: 1000MΩ, 500V DC/1分钟相邻端子间无损坏
5. 使用温度: -40℃~+85℃
6. 主体材质: LCP/灰色/耐温260° ±5°
7. 五金材质: 磷铜镀金 (T=0.20mm)

QUALITY SYMBOLS	GENERAL TOLERANCES (UNLESS SPECIFIED)			SCALE:	NUMBER:	CMTDDZ 东莞市田都科技有限公司 Dongguan TianDu Technology Co. Ltd.
	MM	INCH		1:1		
▽-0	.X	±0.25	.X	◎----		TITLE: MINI 1.9PH 5pin 3.6H SMT 母座/无耳
	.XX	±0.15	.XX	◎---		
	.XXX	±0.05	.XXX	◎---		
▽C-0	ANGULAR ±1°					THEED ANGLE PROJECTION REVISION OR CAD ONLY PART NO. DWG NO. SHEET NO. 1/1
	DRAFT WHERE APPLICABLE MUST REMAIN WITHIN DIMENSIONS					