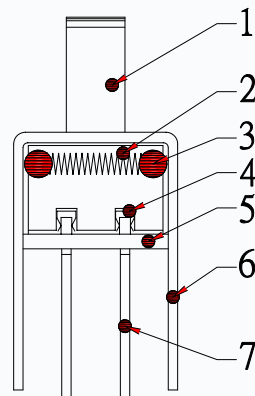
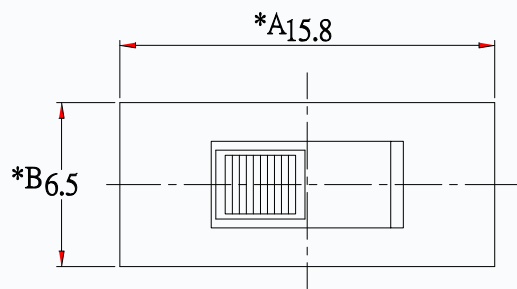
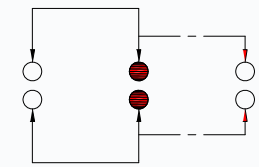


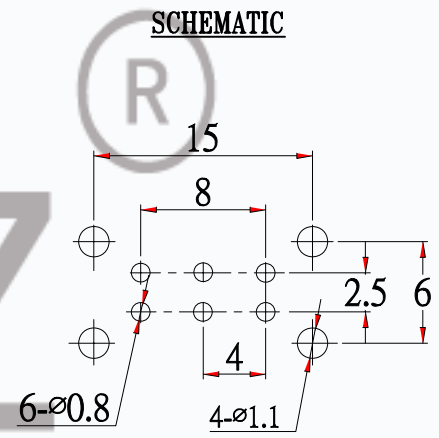
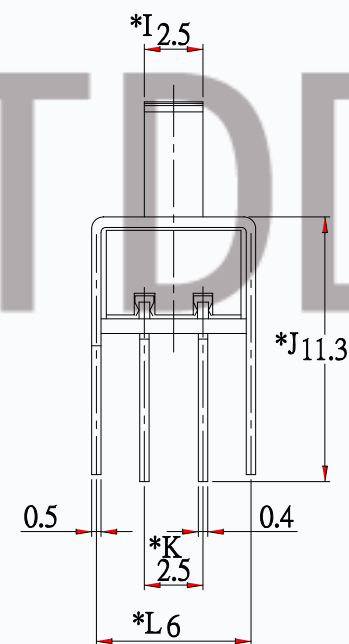
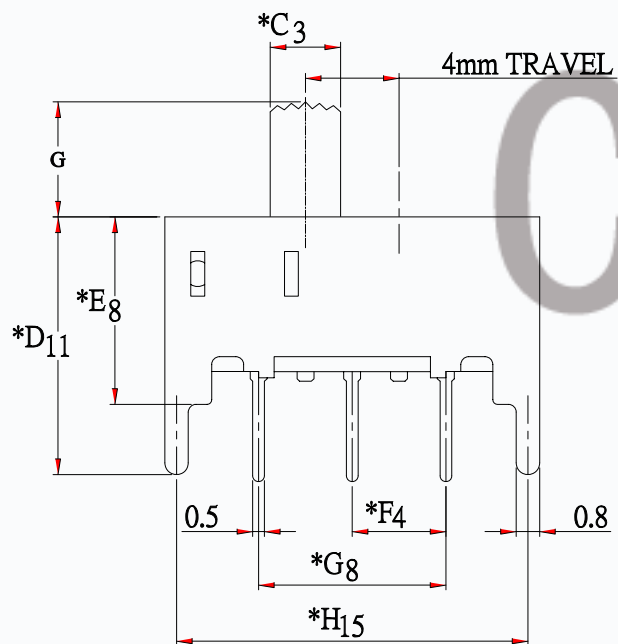
CAD FILE:



MODEL NO.	KNOB(G/VG)
T2-224023-G	(2~15)mm



SCHEMATIC



P.C.B.LAYOUT

8				
7	STEEL BALL	STEEL	1	NATURAL
6	SPRING	STEEL WIRE	1	NATURAL
5	CONTACT	C5210R-EH	2	Ag CLAD
4	TERMINAL	BRASS	6	Ag COATING
3	BASE	PHENOLIC RESIN	1	YELLOW
2	KNOB	POM	1	BLACK
1	FRAME	SPN	1	NI COATING
NO.	PARTS	MATERIALS	Q'TY	FINISH

TOLERANCE UNLESS SPECIFIED		THESE DRAWINGS AND SPECIFICATIONS ARE THE PROPERTY OF DONGGUAN TIANDU TECHNOLOGY CO.,LTD. AND SHALL NOT BE REPRODUCED, COPIED OR USED IN ANY MANNER WITHOUT THE PRIOR WRITTEN CONSENT OF DONGGUAN TIANDU TECHNOLOGY CO., LTD		DESCRIPTIONS OF REVISION		APPD.
WITHIN 1.5mm : ±0.1mm OVER 1.5mm : ±0.2mm						
TITLE : HORIZONTAL SLIDE SWITCH			UNIT : mm	DRWG NO:CMTDDZ-T2-224023-G		
MODEL: T2-224023-G			SCALE: 5:1	DWN.	ERIC	2013-6-17
CMTDDZ 东莞市田都科技有限公司				CHK'D	MAIKO	2013-6-17
DONGGUAN TIANDU TECHNOLOGY CO.,LTD.				APPD.	Coco	2013-6-17