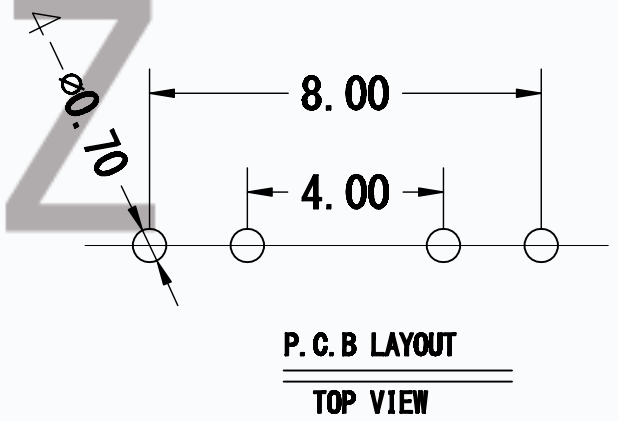
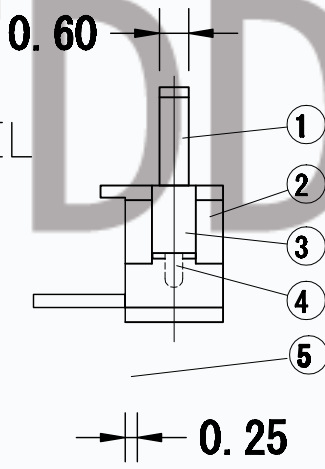
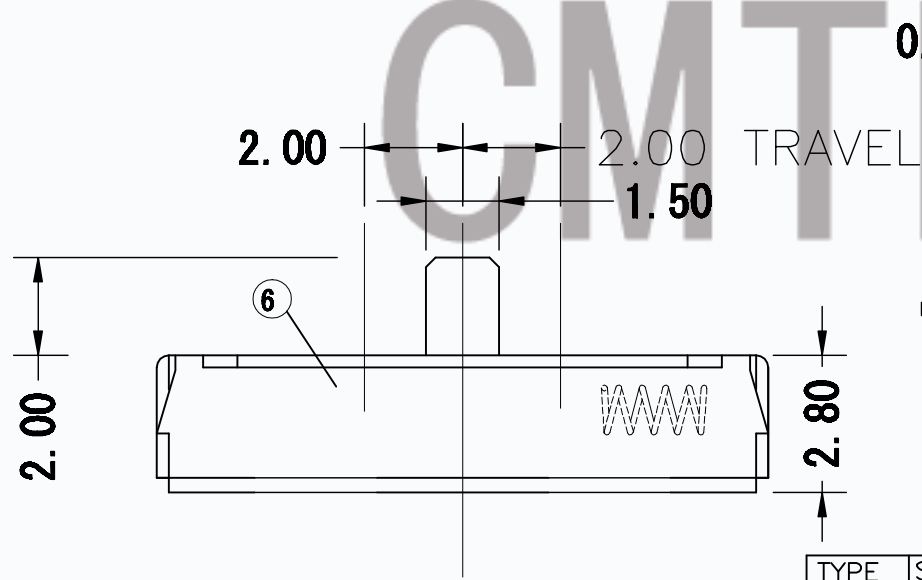
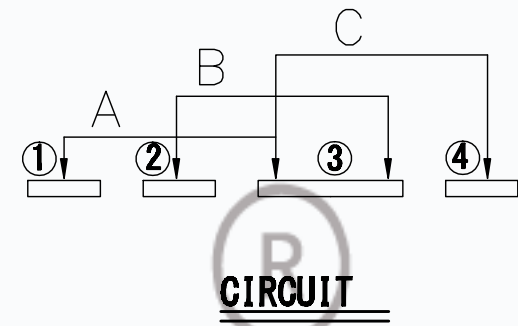
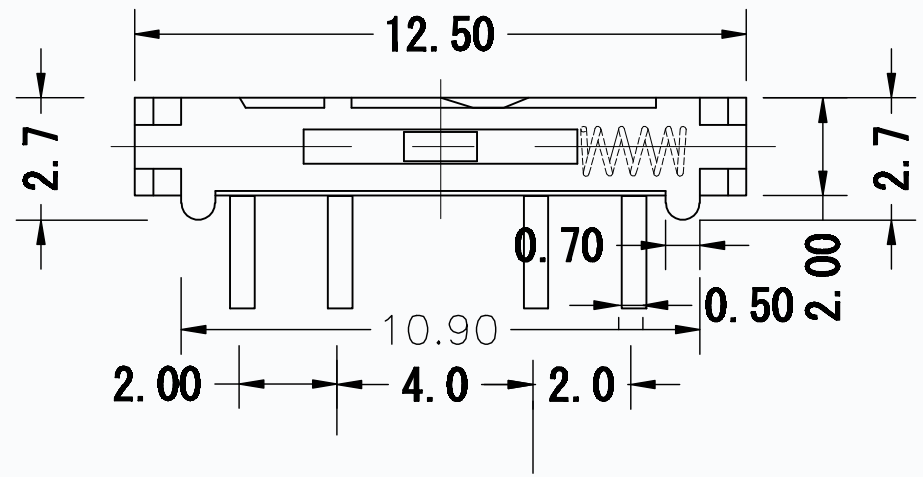


SYMB	REVISIONS	DATE	APVD.
△			
△			
△			



TYPE	SLIDE SWITCH	TOLERANCE	10				
PART NO	偏四右复位	UP TO 10	±0.2	9			
DATE	2010/12/24	ABOVE 10~50	±0.3	8			
UNITE	mm PAGE 4/4	ABOVE 50~100	±0.5	7			
SCALE	5:1 VERSION A	ANGLE	±3°	6	SPRING	SUS	1 NATURAL
DRAWN	CHECKED APVD.	PROJECTION		5	TERMINALS	C2000	4 Ag
ERIC				4	CONTACT	C5210	1 Ag
				3	COVER	SUS	1 NATURAL
				2	BOTTOM	PA46	1 BROWN
				1	STEM	PA46	1 BLACK
NO	NAME	MATERIAL	QTY:	FINISHING			

**CMTDDZ** 东莞市田都科技有限公司  
Dongguan TianDu Technology Co. Ltd.