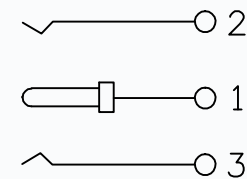
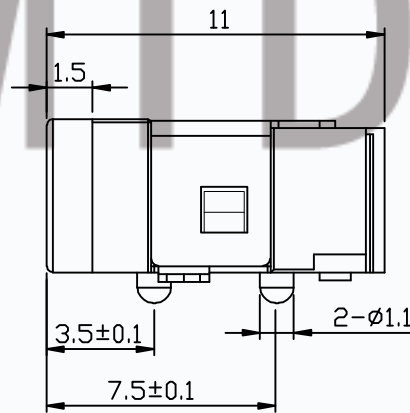
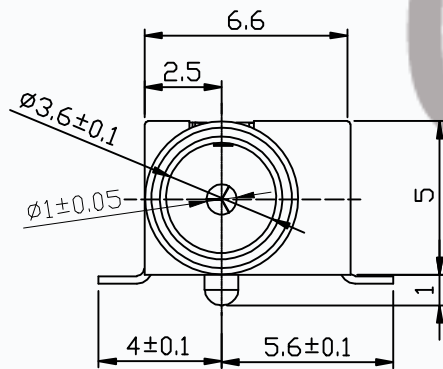
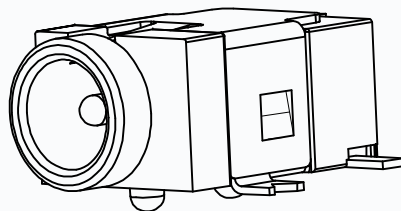


PCB LAYOUT TOP VIEW



CIRCUIT DIAGRAM



No.	PART NAME	QTY	MATERIAL (THICK, COLOR)	REMARK
④	HOUSING DC-0604	1	PA (BLACK)	
③	TERMINAL DC-0604-3#	1	PHOSPHOR BRONZE t=0.25	Ag-Plated
②	TERMINAL DC-0604-2#	1	PHOSPHOR BRONZE t=0.25	Ag-Plated
①	TERMINAL DC-0604-1#	1	BRASS t=0.20	Ag-Plated

ANGULAR	±5°
16 < L ≤ 63	±0.3
4 < L ≤ 16	±0.2
L ≤ 4	±0.15
UNSPECIFIED TOLERANCE	

DSND	DATE	SCALE: 4 : 1	NAME: DC POWER JACK
CHKD	DATE	VIEW:	
APVD	DATE	UNIT: mm	CAT. NO.

CMTDDZ 东莞市田都科技有限公司
Dongguan TianDu Technology Co., Ltd.

DWN. NO. T12-35031S-1.3