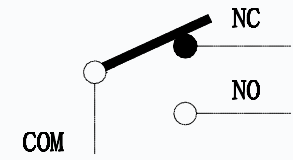
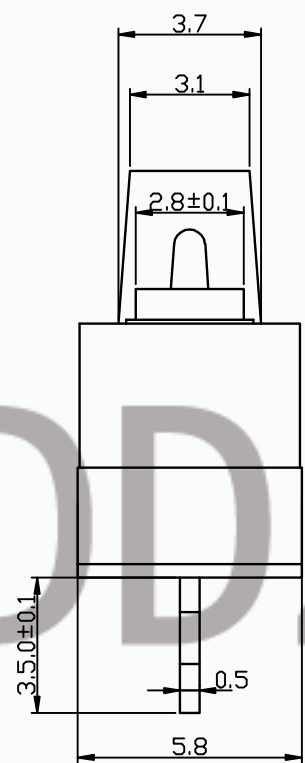
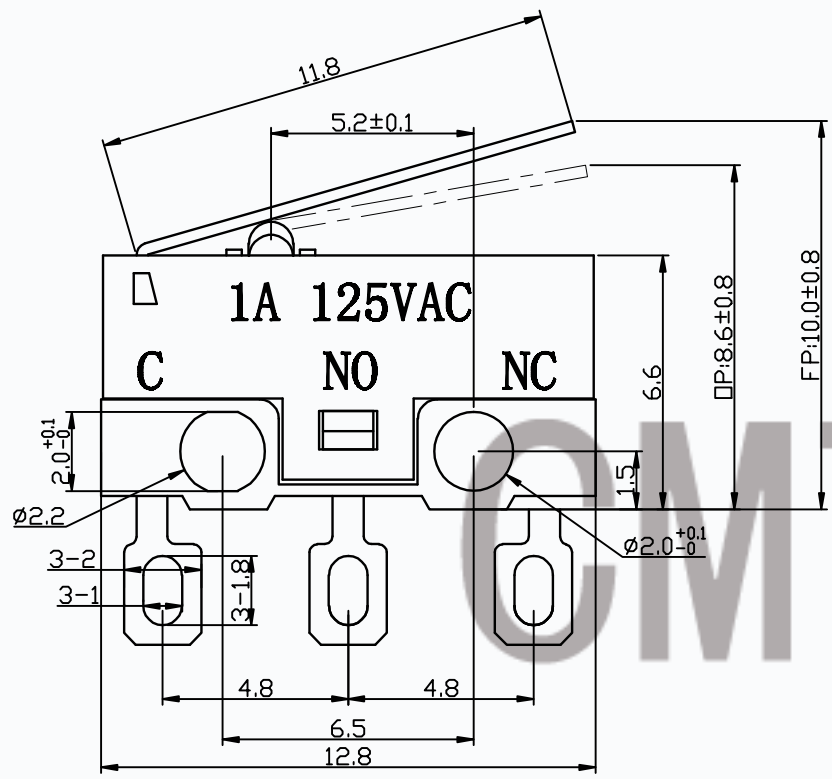


7	压柄	SUS	
6	触点	银合金	
5	端子	C2680	镀银
4	弹片	C5210	
3	按钮	PBT	
2	上盖	PBT	
1	底座	PBT	
序号	名称	材料	备注



Rating	DC30V 100mA	Electrical Life	100,000 cycles
Contact Resistance	500mΩ Max	Mechanical Life	300,000 cycles
Insulation Resistance	>100MΩ DC500V	Ambient Temper. Used	-25℃ to +85℃
Withstand Voltage	AC500V 1min.	Ambient Humidity Used	≤85% at +40℃
Soldering Temper.	235±5℃ 5s	Operating Force	30±15gf

TOLERANCE UNLESS SPECIFIED WITHIN 1.5mm : ±0.1mm OVER 1.5mm : ±0.2mm	THESE DRAWINGS AND SPECIFICATIONS ARE THE PROPERTY OF DONGGUAN TIANDU ELECTRONICS CO.,LTD. AND SHALL NOT BE REPRODUCED, COPIED OR USED IN ANY MANNER WITHOUT THE PRIOR WRITTEN CONSENT OF DONGGUAN TIANDU ELECTRONICS CO., LTD		DESCRIPTIONS OF REVISION		APPD.
	TITLE : Micro Switch		UNIT : mm	DRWG NO.: CMTDDZ-DM-12P-30-4	
MODEL: DM-12P-30-4		SCALE: 3:1	DWN.	ERIC	2013-6-17
CMTDDZ 东莞市田都电子有限公司 DONGGUAN TIANDU ELECTRONICS CO.,LTD.		CHK'D	ERIC	2013-6-17	
		APPD.	JEFF	2013-6-17	