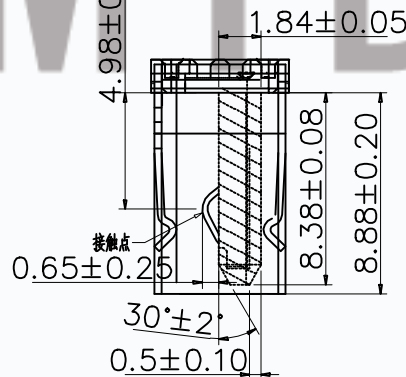
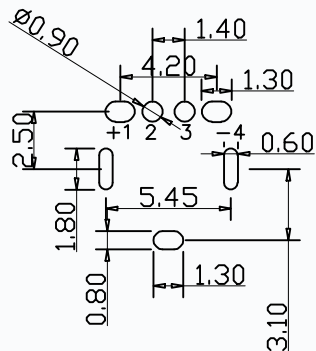
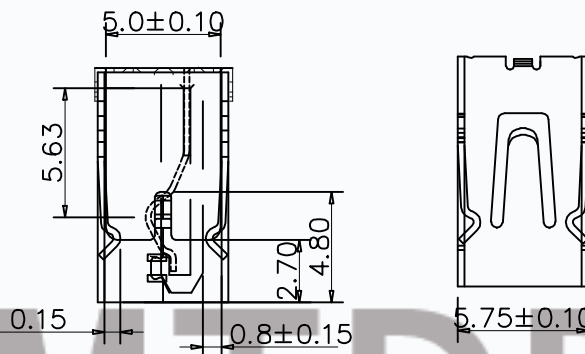
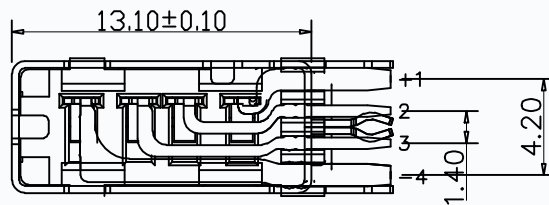
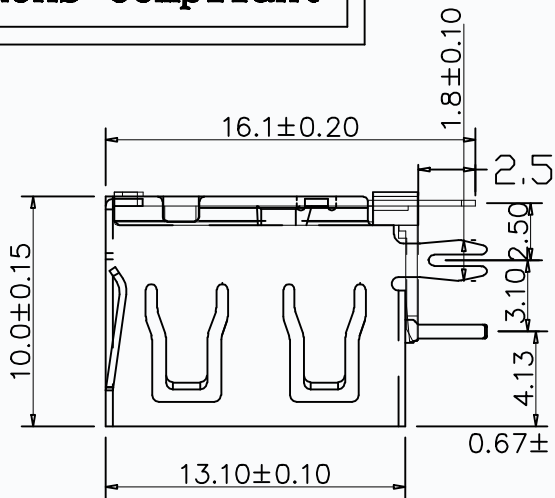


RoHS Compliant



- T10-2FC100-3A-01-0 W C N C O 2
- B=盐雾24H C=盐雾48H
  - 包装方式PACK:
  - 2: 盘装 3:管装 4: 载带
  - 端子电镀SPRING PLATING:
  - 0: 镀金GF 5:5u" 6:15u" 8:30u"
  - 端子材质SPRING CONTACT:
  - C:黄铜 P:磷铜
  - 外壳电镀SHELL PLATING:
  - N:镀镍 T:镀雾锡
  - 外壳材质SHELL:
  - S:不锈钢 C:黄铜 A:冷轧钢板
  - 塑胶颜色HOUSING COLOUR:
  - W:白色 B:黑色 L:蓝色 Y:黄色 G:绿色
  - 塑胶材质HOUSING:
  - 0:PBT 3:LCP 6:PA-6T 9:PA-9T

规格说明:Specifications:

电气特性:Electrical:

- 1.额定电流: Current Rating  
3A/contact terminal
- 2.额定电压: Voltage Rating  
30V DC
- 3.接触阻抗: Contact Resistance  
30 milliohms MAX
- 4.耐电压: Dielectric Withstanding Voltage:  
500 V AC AT Sea Level
- 5.绝缘阻抗: Insulation Resistance:  
1000MEGA ohms MIN

物理性能:Mechanical:

- 1.插拔力: Connector Mate and Unmate Force  
Mate force:3.57kgf(MAX)  
Unmate force:1.02kgf(MIN)
- 2.端子保持力: Terminal Retention  
1.0kgf(MIN)
- 3.寿命: Durability  
1500 CYCLES MIN

原材料:Material:

- 1.塑胶:Housing:PBT自阻燃  
Hing Temperature Ternmaplastics,
- 2.端子:Contact:Copper Alloy C2680
- 3.外壳:Shell: Copper Alloy C2680/SPCC

电镀:Finish:

- 1.端子:Contact: Plated Gold in Mating Area  
Tin On Solder Tails

端子四周镀50U"(MIN)镍,镀金区域镀80-120U"镀金1U"

- 2.外壳:Shell:  
铁-铜壳四周镀80U"(MIN)镍

Nickel Plating

<b>CMTDDZ</b> 东莞市田都科技有限公司 Dongguan Tiandu Technology Co., Ltd TEL:0769-85384807 FAX:0769-85384842		图号 (DWG NO)		单位 (UNIT): MM
		版本 (REV)	A/0	比例 (SCALE) 1:1
品名 (ITEM NO)	USB A/F 侧插10.0直边大电流	日期 (DATE)	2015. 06. 09	未注公差 TOLERANCE UNSPECIFIED I X ±0.30 I XX ±0.20 I XXX ±0.10 I' ±0.5 I X' ±2
料号 (PART NO)	T10-2FC100-3A-01-0WCNCO2	设计 (DESIGN)	ERIC	
模号 (MODEL NO)	N/A	审核 (CHECKED)	~	
		核准 (APPROVED)		