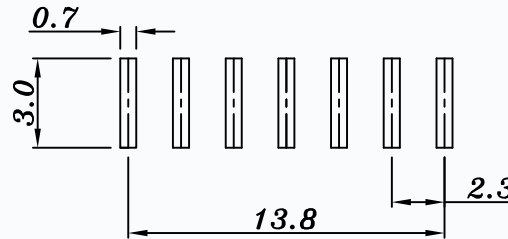
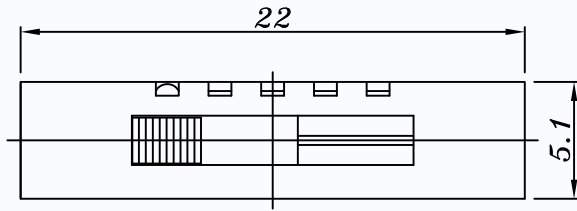


CAD FILE:

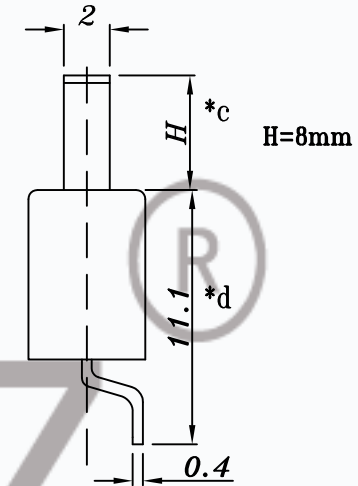
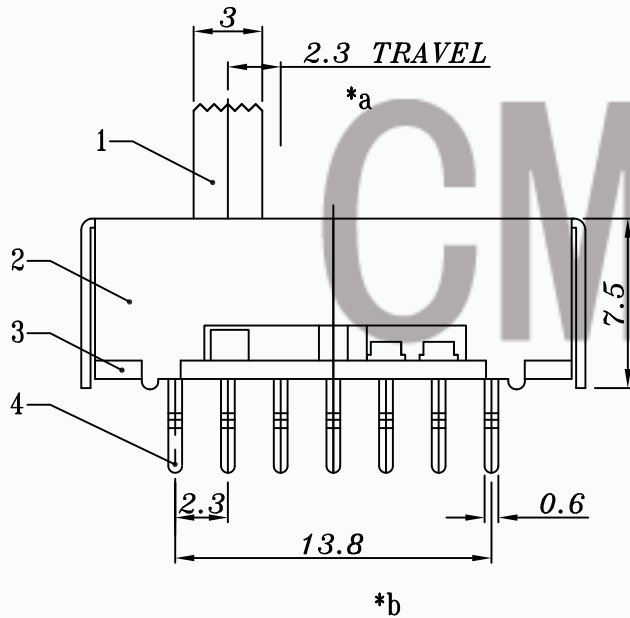


MODEL NO.	KNOB(G/VG)
T2-152301D-G8-01	(2~11)mm



P.C.B LAYOUT  
BOTTOM VIEW

注：“\*”表示关键尺寸（4个）。



SPECIFICATIONS

Rating	0.5A 50V DC
CIRCUIT	1P5T
Timing	SHORTING
Travel	2.3mm
Contact Resistance	< 100 mΩ
Operating Force	250gf ± 100gf
Operating Life	10,000 cycles

NO.	PARTS	MATERIALS	Q'TY	FINISH	TOLERANCE UNLESS SPECIFIED		THESE DRAWINGS AND SPECIFICATIONS ARE THE PROPERTY OF DONGGUAN TIANDU TECHNOLOGY CO.,LTD. AND SHALL NOT BE REPRODUCED, COPIED OR USED IN ANY MANNER WITHOUT THE PRIOR WRITTEN CONSENT OF DONGGUAN TIANDU TECHNOLOGY CO., LTD		DESCRIPTIONS OF REVISION		APPD.
8					WITHIN 1.5mm : ±0.1mm						
7	SPRING BALL	STELL	1	NATURAL	OVER 1.5mm : ±0.2mm						
6	SPRING	STEEL WIRE	1	NATURAL							
5	CONTACT CLIP	PBS STRIP	1	Ag PLATED							
4	TERMINAL	BRASS STRIP	7	Ag PLATED							
3	BASE	PHENOLIC RESIN	1	NATURAL							
2	KNOB	PA66	1	BLACK							
1	FRAME	STEEL STRIP	1	NI PLATED							
					TITLE : VERTICAL SLIDE SWITCH			UNIT : mm	DRWG NO.: CMTDDZ-T2-152301D-G8-01		
					MODEL: T2-152301D-G8-01			SCALE: 3:1	DWN.	ERIC	2013-6-17
					CMTDDZ 东莞市田都科技有限公司			CHK'D	MAIKO	2013-6-17	
					DONGGUAN TIANDU TECHNOLOGY CO.,LTD.			APPD.	Coco	2013-6-17	