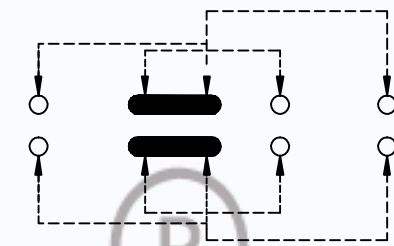
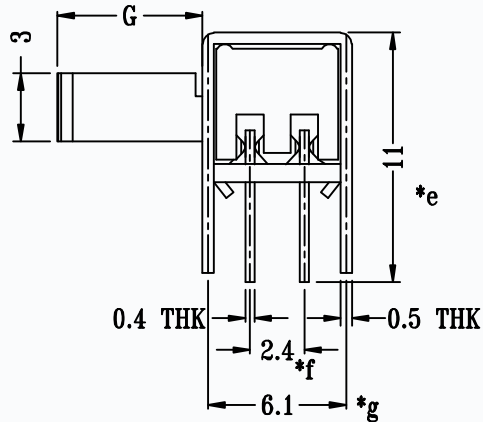
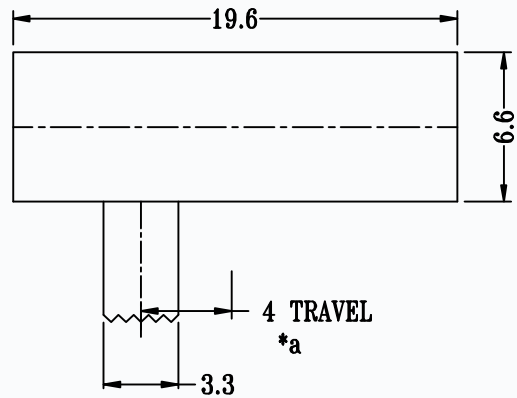


CAD FILE:

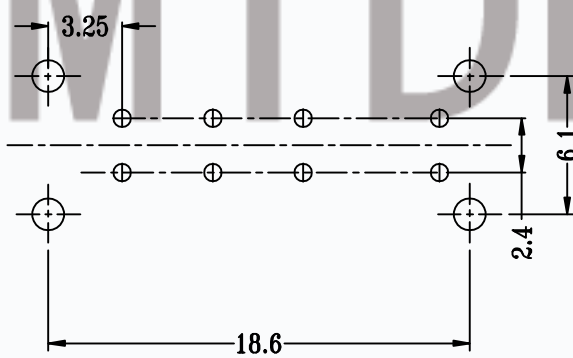
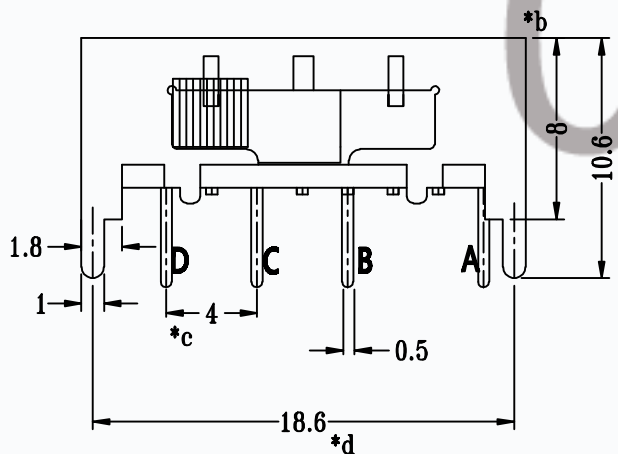


MODEL NO.	KNOB(G/VG)
T3-234037-G	(2~15)mm



SCHEMATIC (NON-SHORTING AND SHORTING)

A ⇌ C:NON-SHORTING
C ⇌ D:SHORTING



P.C.B. LAYOUT

SPECIFICATIONS	
Rating	0.5A 50V
CIRCUIT	2P3T
Timing	SHORTING
Travel	4.0mm
Contact Resistance	< 100 mΩ
Operating Force	250gf ± 100gf
Operating Life	10,000 cycles

NO.	PARTS	MATERIALS	Q'TY	FINISH
8				
7	STEEL BALL	STEEL	1	NATURAL
6	SPRING	STEEL WIRE	1	NATURAL
5	CONTACT CLIP	PBS STRIP	2	Ag PLATED
4	TERMINAL	BRASS STRIP	8	Ag PLATED
3	BASE	PHENOLIC RESIN	1	NATURAL
2	KNOB	PA66	1	BLACK
1	FRAME	STEEL STRIP	1	NI PLATED

TOLERANCE UNLESS SPECIFIED WITHIN 1.5mm : ±0.1mm OVER 1.5mm : ±0.2mm	THESE DRAWINGS AND SPECIFICATIONS ARE THE PROPERTY OF DONGGUAN TIANDU TECHNOLOGY CO.,LTD. AND SHALL NOT BE REPRODUCED, COPIED OR USED IN ANY MANNER WITHOUT THE PRIOR WRITTEN CONSENT OF DONGGUAN TIANDU TECHNOLOGY CO., LTD		DESCRIPTIONS OF REVISION		APPD.

TITLE : HORIZONTAL SLIDE SWITCH		UNIT : mm	DRWG NO.: CMTDDZ-T3-234037-00		
MODEL: T3-234037-G		SCALE: 3:1	DWN.	ERIC	2013-6-17
CMTDDZ 东莞市田都科技有限公司 DONGGUAN TIANDU TECHNOLOGY CO.,LTD.		CHK'D		MAIKO	2013-6-17
		APPD.		Coco	2013-6-17