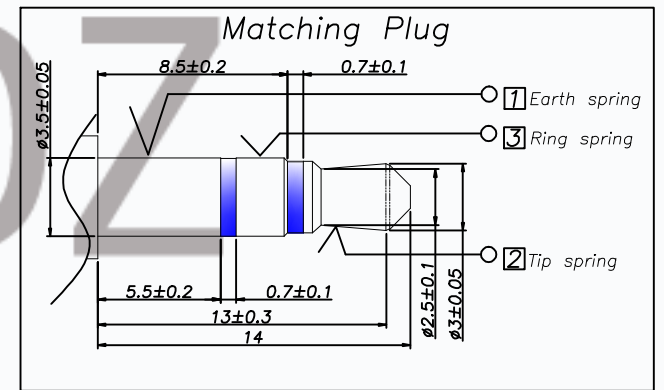
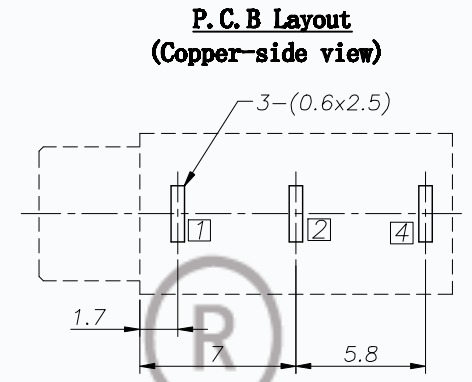
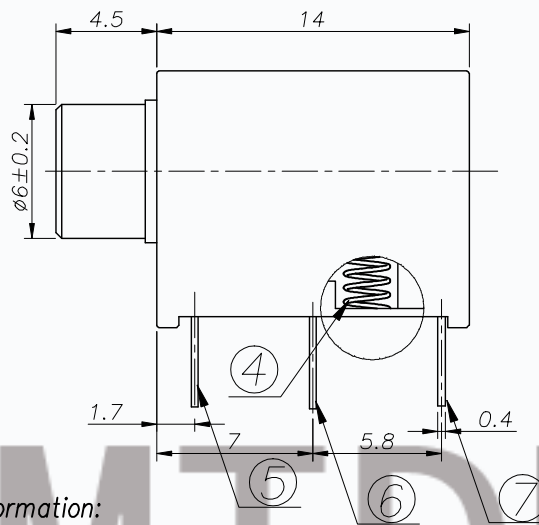
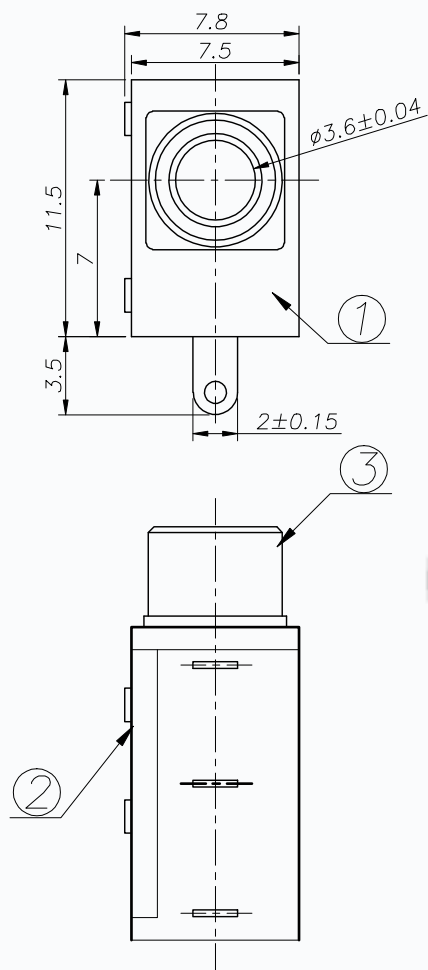


REV. LTR.	DESCRIPTION	SIGN	DATE



**Ordering information:**

T13-35230-□ PB OA C □ □ 4  
 ① ② ③ ④ ⑤ ⑥ ⑦

- ①: Series No.
- ②: Schematic option: C E
- ③: Material of housing  
PB=PBT (Only)
- ④: Housing color  
OA=Black (Only)
- ⑤: Terminal plating  
T=Tin(Sn)  
S=Silver(Ag)  
C=copper&tin alloy plating
- ⑥: Special option  
(Standard)  
OC: Bushing is copper&tin alloy plating  
(standard)  
ON: Bushing is nickel plating
- ⑦: Bushing made gold plating  
4.Bag packing

Model NO.	T13-35230-1	T13-35230-2
Schematic		

□ : Terminal No. ○ : Item No.

- SPECIFICATION**
1. Rating : DC 30V 0.5A;
  2. Contact resistance:  $\leq 30m\Omega$ ;
  3. Insulation resistance:  $\geq 100M\Omega$  (DC500V);
  4. Withstand voltage: 500VAC ;
  5. Insertion and extraction force: 3-30N;
  6. life test: 5,000 cycles.

NO.	DESCRIPTION	QTY	MATERIAL	PLATING
⑦	Shunt terminal	1	Brass	Cu-Sn-Plating
⑥	Tip spring	1	Phosphor bronze	Cu-Sn-Plating
⑤	Earth Spring	1	Brass	Cu-Sn-Plating
④	Spring	1	spring steel	Ni-Plating
③	Bushing	1	Brass	Ni/Au/Cu-Sn-Plating
②	Cover	1	PBT/PC	
①	Housing	1	PBT	

UNIT: MM	TYPE:	MODEL NO:	PAPER NO:	PAGE 1 OF 1
		T13-35230	TOLERANCE	SCALE
			±0.3	±2'
			1:1	2

DESIGNER: 2008/9/13  
 BY: [Signature]  
 CHECK: [Signature]  
 APPROVED: [Signature]  
 BY: [Signature]

**CMTDDZ 东莞市田都科技有限公司**  
 Dongguan TianDu Technology Co. Ltd.