

1

2

3

4

5

6

A

A

B

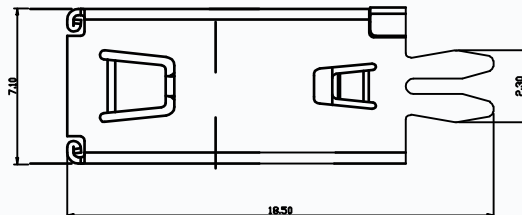
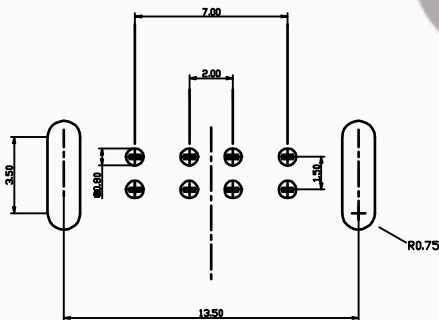
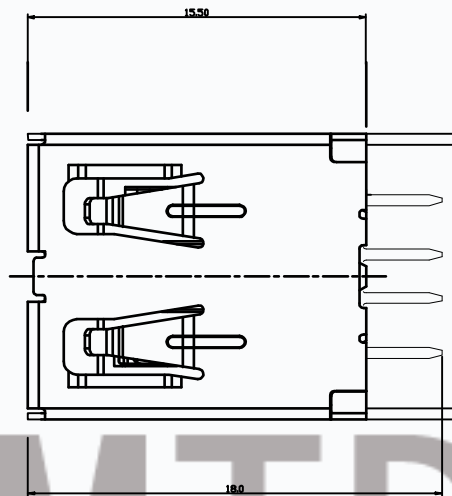
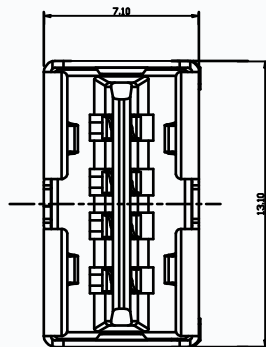
B

C

C

D

D



Material:

1. plastic LCP UL 94V-0
 2. terminal: Contact Copper Alloy C2680H


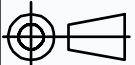
3. Copper shell/ironclad: Shell: Copper Alloy electroplating: Finish

1. terminal: Contact: Plated Gold in Mating Area

Tin On Solder Talls

2. Copper shell/ironclad: Shell Nickel plating

CMTDDZ

General Tolerances (Unless Specified) Angular ±1° X: ±0.50 .X±0.30 .xx±0.15	Dimension Style	 东莞市田都科技有限公司 DONGGUAN TIANDU TECHNOLOGY CO.,LTD.
	MM Only	
Sheet No.	1/1	
Scale	N/A	
 Third Angle Projection	Drawn By ERIC Date	Title USB双面A母180度15.5长卷边
	Checked By Date	
E-DWG	REV. A	Part No. T10-2F155S-01
	Approved By Date	DWG No.