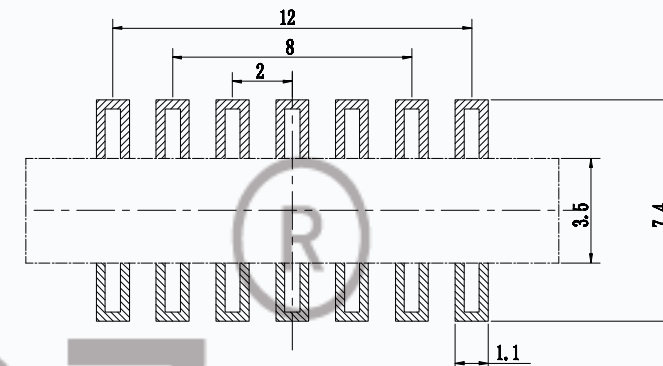
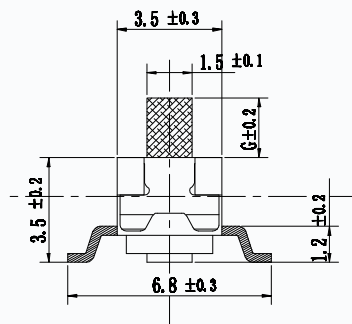
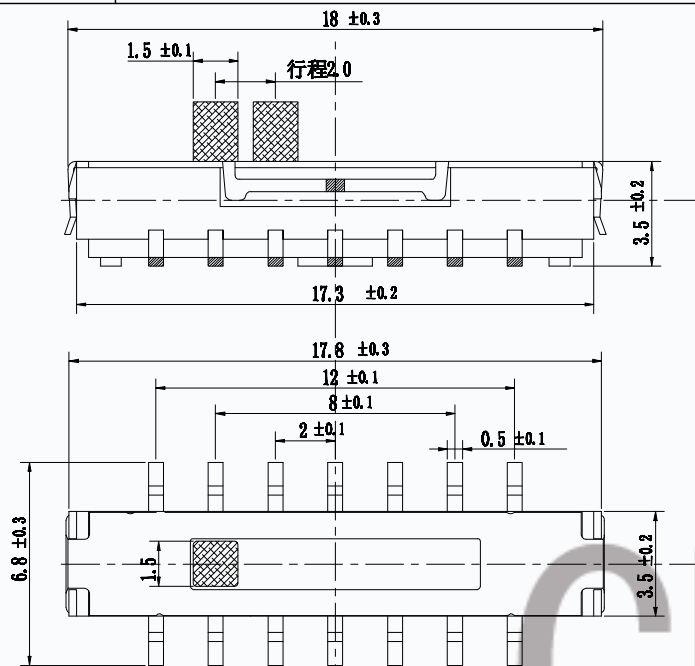
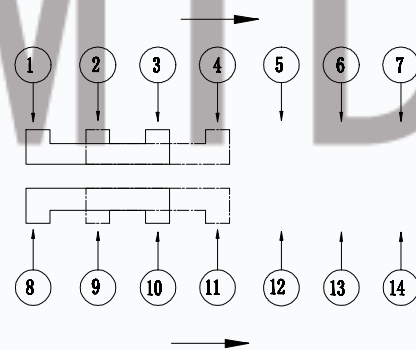
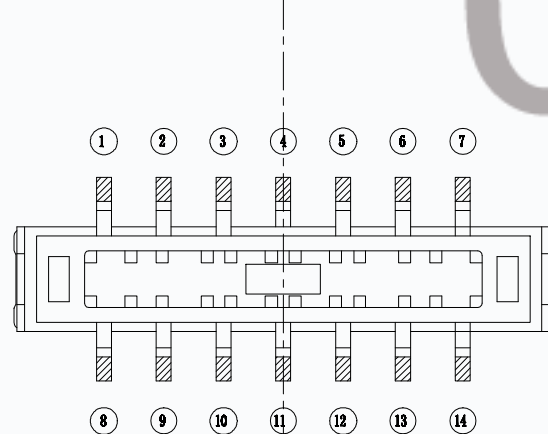


CAD FILE:

MODEL NO.	KNOB(G)
T1-2549S-G	<2~6>mm



CMTDDZ



电路图 (CIRCUIT DIAGRAM)

SPECIFICATIONS

Rating	50mA 12V DC
Insulation Resistance	> 100 mΩ(DC100V)
Dielectric Withstanding Voltage	AC100V 0.5mA/min
Contact Resistance	< 70 mΩ
Operating Force	200gf ± 100gf
Operating Life	10,000 cycles

8					TOLERANCE				
7					UNLESS SPECIFIED				
6					WITHIN 1.5mm : ±0.1mm	A	2014-8-31	TIANDU ELECTRONICS	
5	CLIP	BECU	2	Ag PLATED	OVER 1.5mm : ±0.2mm	ISSUE	DATE	DESCRIPTIONS OF REVISION	APPD.
4	TERMINAL	PHOSPHOR BRONZE	14	Ag PLATED	TITLE : MINI SLIDE SWITCH			UNIT : mm	DRWG NO.:CMTDDZ-T1-2549S-00
3	CASE	PA46	1	BLACK	MODEL: T1-2549S-G			SCALE:3:1	DWN. ERIC 2014-8-31
2	COVER	SUS	1	Nature	CMTDDZ 东莞市田都科技有限公司				CHK'D MAIKO 2014-8-31
1	SLIDER	PA46	1	BLACK				DONGGUAN TIANDU TECHNOLOGY CO.,LTD.	
NO.	PARTS	MATERIALS	Q'TY	FINISH					