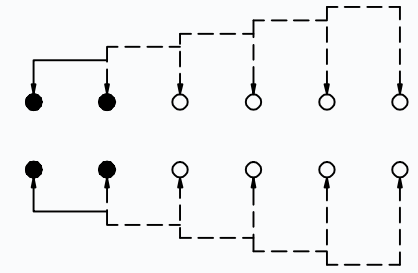
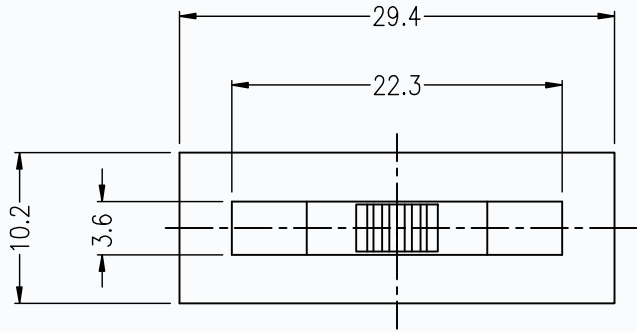


产品规格 Specifications:

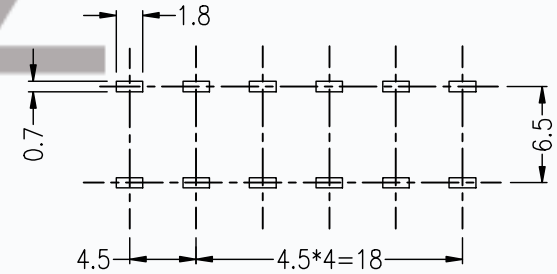
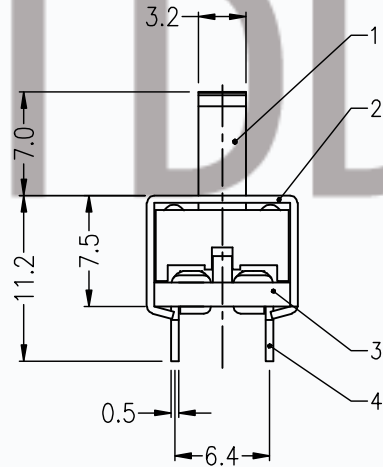
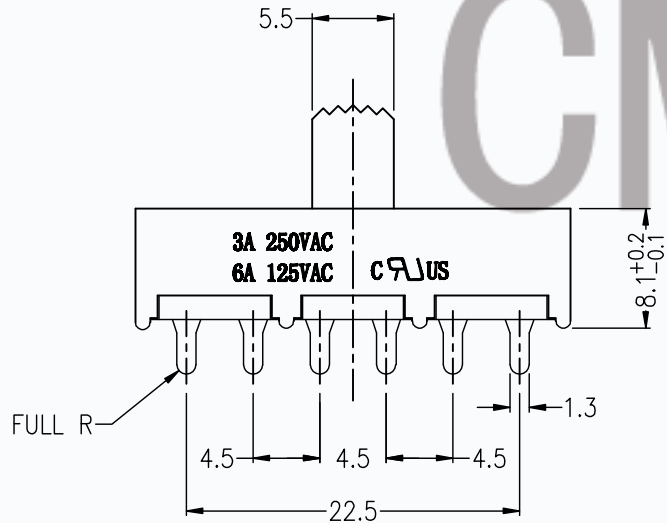
Rating	3A 250VAC/6A 125VAC UL CUL
Contact Resistance	100mΩ MAX
Insulation Resistance	500MΩ MIN
Dielectric Voltage	AC 1500V 1 Minute
Operating Force (gf)	600+/-200 gf
Life test without load	10000 Cycles
Ambient Temperature Used	-25° C To 105° C



SCHEMATIC(NON-SHORTING)



CMTDDZ



P.C.BOARD LAYOUT
BOTTOM VIEW

NO.	PARTS	MATERIALS	Q'TY	FINISHING	TOLERANCE	ISSUE	DATE	DESCRIPTIONS OF REVISION	APPD.	
8	STEEL BALL	STEEL	1	NATURAL	UNLESS SPECIFIED	A	2021-July-28	初版		
7	SPRING COIL	STAINLESS STEEL	1	NATURAL						
6	SPRING COIL	STAINLESS STEEL	4	NATURAL	WITHIN 1.5mm : ±0.1mm	ISSUE	DATE			
5	CONTACT BRIDGE	COPPER ALLOY	2	Ag PLATED	OVER 1.5mm : ±0.2mm	PROJECT AGL: CAD FILE:T4-254002-G				
4	TERMINAL	COPPER ALLOY	12	Ag PLATED	TITLE : AC VERTICAL SLIDE SWITCH		UNIT : mm	P/N: 1010148020124040		
3	PLASTIC BOARD	HTPA	1	NATURAL	MODEL: T4-254002-G7		SCALE: 2 : 1	DWN.		
2	METAL FRAME	STEEL STRIP	1	Ni PLATED	东莞市田都科技有限公司 DONG GUAN SHI TIANDU TECHNOLOGY CO., LTD				CHK'D	
1	KNOB	HTPA	1	BLACK					APPD.	