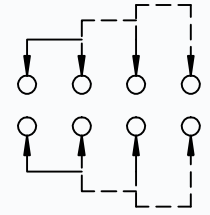
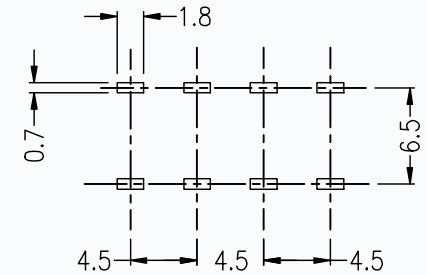
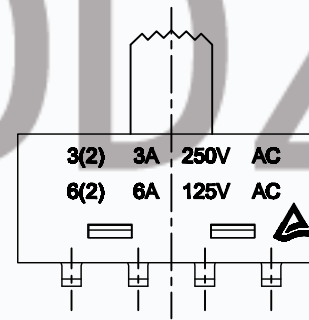
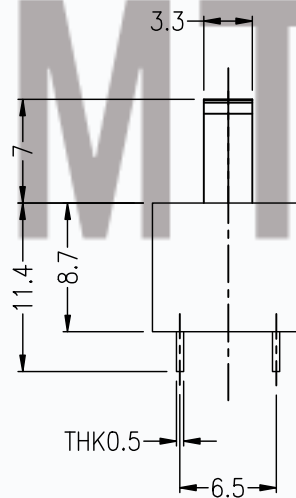
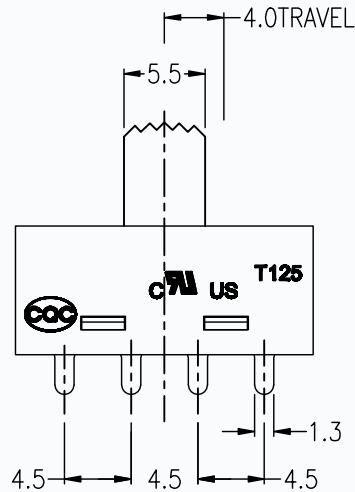
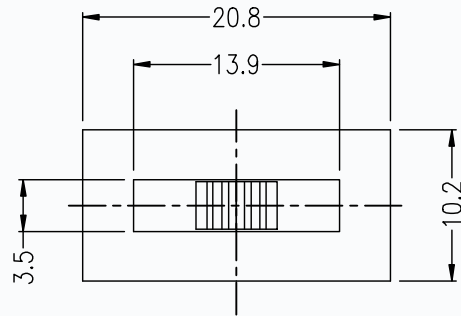


产品规格 Specifications:

Rating	3A 250VAC/6A 125VAC
Contact Resistance	100mΩ MAX
Insulation Resistance	500MΩ MIN
Dielectric Voltage	AC 1500V 1 Minute
Operating Force (gf)	500+/-150 gf
Life test without load	10000 Cycles
Ambient Temperature Used	-25° C To 125° C



SCHEMATIC(NON-SHORTING)



P.C.BOARD LAYOUT
BOTTOM VIEW

CMTDDZ



NO.	PARTS	MATERIALS	Q'TY	FINISHING	TOLERANCE	UNLESS SPECIFIED	PROJECT AGL:	DATE	DESCRIPTIONS OF REVISION	APPD.	
8	SPRING COIL	STEEL WIRE	1	NATURAL							
7	STEEL BALL	STEEL	1	NATURAL							
6	SPRING COIL	STEEL WIRE	4	NATURAL	WITHIN 10.0mm : ±0.1mm		ISSUE	DATE			
5	CONTACT BRIDGE	COPPER ALLOY	2	Ag PLATED	OVER 10.0mm : ±0.2mm		PROJECT AGL:		CAD FILE: T4-234523A-G		
4	TERMINAL	COPPER ALLOY	8	Ag PLATED					TITLE : AC VERTICAL SLIDE SWITCH		
3	BASE	NYLON HTPA	1	BLACK					UNIT : mm		
2	PLASTIC COVER	NYLON HTPA	1	BLACK					P/N: 1010156020103040		
1	KNOB	NYLON HTPA	1	BLACK					SCALE: 2: 1		
					东莞市田都科技有限公司 DONG GUAN SHI TIANDU TECHNOLOGY CO., LTD				CHK'D		
									APPD.		