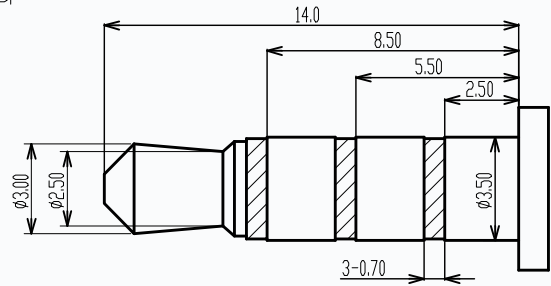
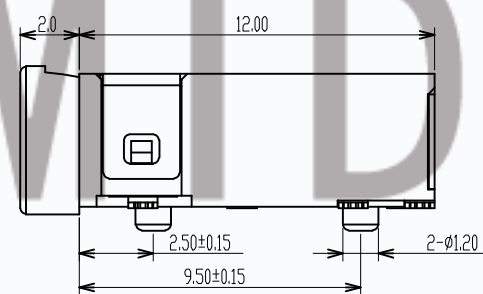
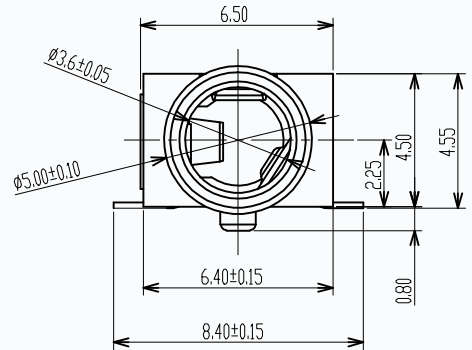
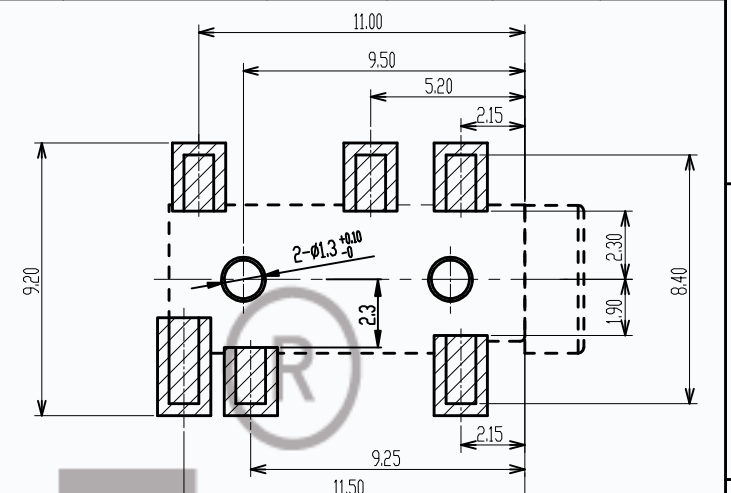
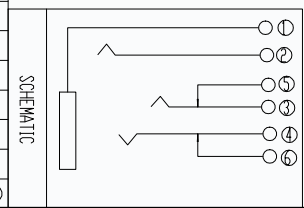


REVISIONS						
REV.	ECN NO	DESCRIPTION	DATE	DRAWN	CHECKED	APPROVED
A		NEW RELEASE	6/27/09'	R.SU		



- NOTES :
- P.C.B LAYOUT TOP VIEW
- P.C.B LAYOUT SIDE
- RATING :
 - VOTAGE : 12 VAC (R.M.S.)
 - CURRENT : 1 AMPERE MAXIMUM PER CONTACT AT 30°C T-RISE
 - TEMPERATURE : -20°C TO +70°C
 - ELECTRICAL CHARACTERISTIC :
 - CONTACT RESISTANCE : 50 MILLIOHMS MAXIMUM INITIAL
 - INSULATION RESISTANCE : 100 MEGOHMS MINIMUM
 - DIELECTIC WITHSTANDING VOLTAGE : 500 VAC AT SEA LEVEL
 - MATERIALS :
 - CONTACT : COPPER ALLOY
 - HOUSING : THERMOPLASTIC, GLASS FILLED, 130°C, UL 94V-0 RATED
 - MECHANICAL :
 - INSERTION FORCE(PER CONTACT): 300~3000 GRAMS
 - WITHDRAWAL FORCE(PER CONTACT): 300~3000 GRAMS
 - DURABILITY ,MINIMUM: MATED 5000 TIMES WITHOUT DEGRADING ELECTRICAL CHARACTERISTICS
 - CONTACT FORCE, MINIMUM: 80 GRAMS
 - OTHER:
 - THE MARK OF "▼" SHOULD BE INSPECTED

NO.	Part Name	QTY	Description	Plated/Color	Note
1	TERMINAL A	1	C5191R-H T=0.20mm	Plated Ag	
2	TERMINAL B	1	C5191R-H T=0.20mm	Plated Ag	
3	TERMINAL C	1	C17460R-H T=0.20mm	Plated Ag	
4	TERMINAL D	1	C5210R-H T=0.20mm	Plated Ag	
5	TERMINAL E	1	C2680R-H T=0.20mm	Plated Ag	
6	TERMINAL F	1	C2680R-H T=0.20mm	Plated Ag	
7	HOUSING	1	LCP+30%GF / PA9T+40%GF	Color: BLACK	(UL-94V-0)



UNLESS OTHERWISE SPECIFIED TOLERANCES	
GENERAL	.XX ±0.15
ANGULAR	.XX±3.0°
I-P (INTERSECTION POINT)	DRAWN RUBEN DATE 6/27/09'
Q-P (QUADRANT POINT)	DESIGN DATE
T-P (TANGENCY POINT)	CHECKED DATE
SCALE	4 : 1
SHEET	1 OF 1
APPROVED	DATE
UNIT	MM

东莞市田都电子有限公司
DONGGUAN TIANDU ELECTRONIC CO.,LTD

TITLE	Ø3.5mm PHONE JACK 4 POLE SMT TYPE
ASSY DRAWING	
PART NO.	T13-35342S
SIZE.	A4
DWG NO.	T13-35342S-4.5H
REV.	A

CUSTOMER DRAWING