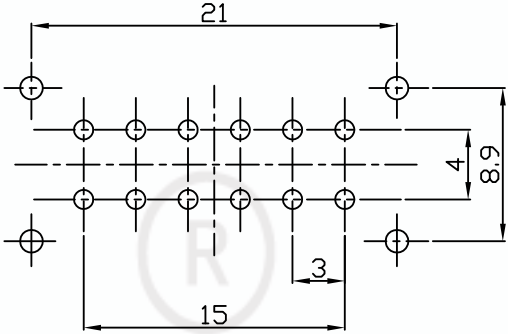
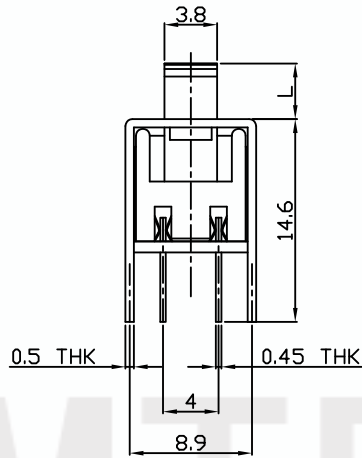
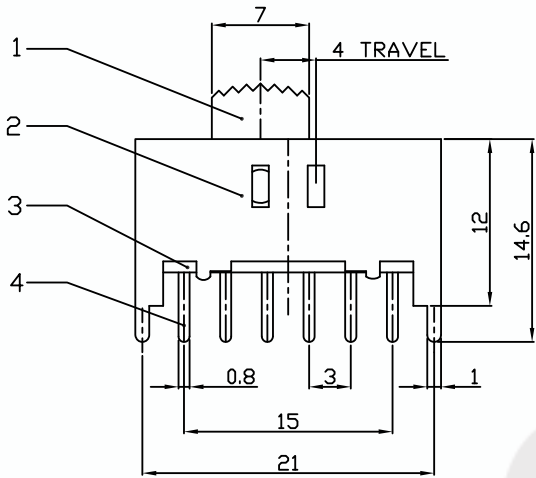
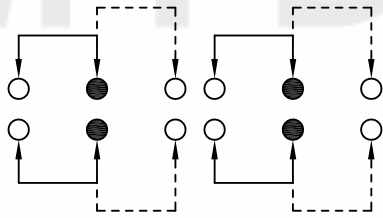
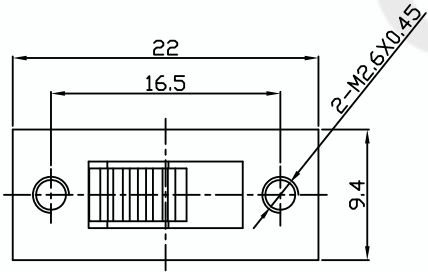


CAD FILE:

MODEL NO.	KNOB(L/VG)
T2-424011-G	(2~15)mm



P.C.B LAYOUT  
BOTTOM VIEW



CIRCUIT DIAGRAM

SPECIFICATIONS	
Rating	0.3A 50V DC
CIRCUIT	4P2T
Timing	SHORTING
Travel	4.0mm
Contact Resistance	< 100 mΩ
Operating Force	300gf ± 80gf
Operating Life	10.000 cycles

NO.	PARTS	MATERIALS	Q'TY	FINISH	TOLERANCE UNLESS SPECIFIED	DESCRIPTIONS OF REVISION	APPD.
8					WITHIN 1.5mm : ±0.1mm OVER 1.5mm : ±0.2mm		
7							
6	SPRING	STEEL STRIP	1	NATURAL			
5	CONTACT CLIP	BRASS STRIP	2	Ag PLATED			
4	TERMINAL	BRASS STRIP	6	Ag PLATED OVER Ni PLATED			
3	BASE	PHENOLIC RESIN	1	NATURAL			
2	FRAME	STEEL STRIP	1	BLACK			
1	KNOB	POM	1	BLACK			
					TOLERANCE UNLESS SPECIFIED WITHIN 1.5mm : ±0.1mm OVER 1.5mm : ±0.2mm	THESE DRAWINGS AND SPECIFICATIONS ARE THE PROPERTY OF DONGGUAN TIANDU TECHNOLOGY CO., LTD. AND SHALL NOT BE REPRODUCED, COPIED OR USED IN ANY MANNER WITHOUT THE PRIOR WRITTEN CONSENT OF DONGGUAN TIANDU TECHNOLOGY CO., LTD	
					TITLE : VERTICAL SLIDE SWITCH	UNIT : mm	DRWG NO.: CMTDDZ-T2-424011-00
					MODEL: T2-424011-G	SCALE: 3:1	DWN. ERIC 2013-6-17
					<b>CMTDDZ</b> 东莞市田都科技有限公司 DONGGUAN TIANDU TECHNOLOGY CO.,LTD.	CHK'D MAIKO	2013-6-17
						APPD. Coco	2013-6-17