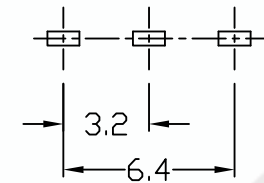
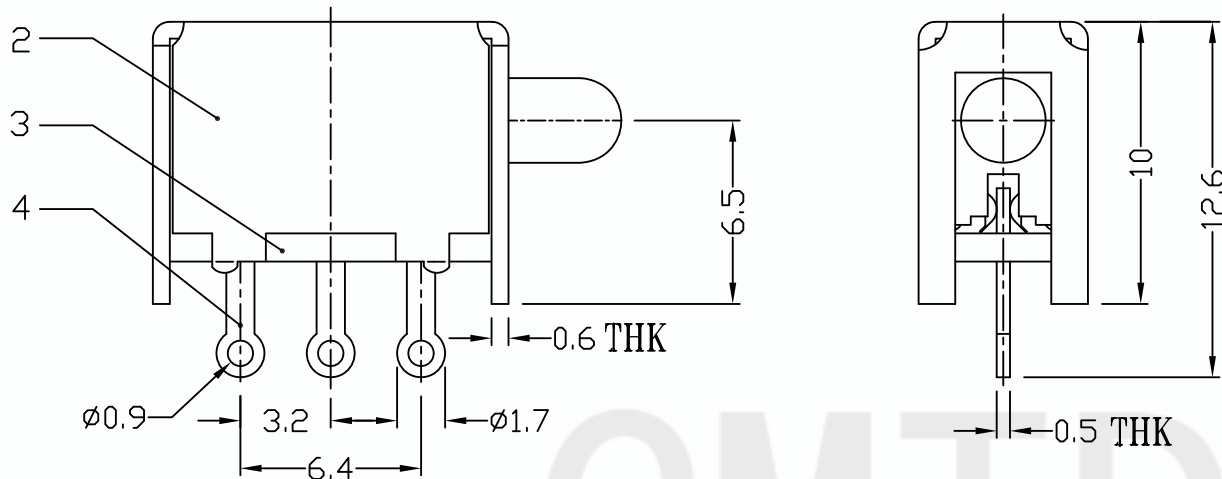
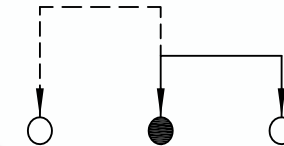


CAD FILE:

DIMENSIONS



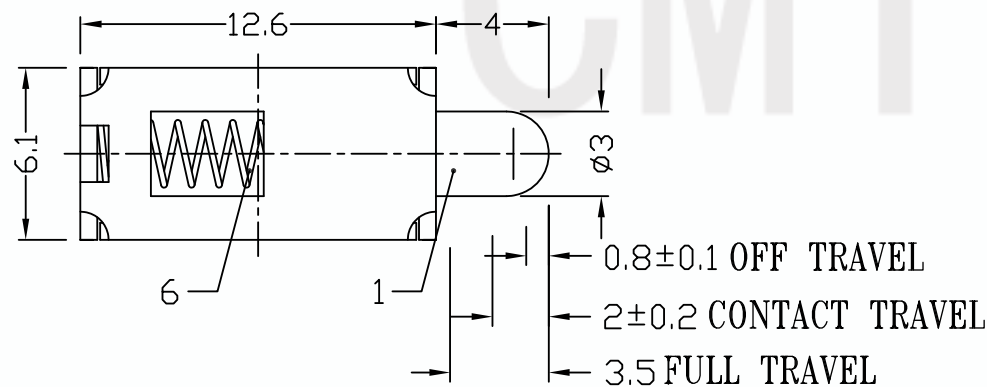
P.C.B LAYOUT  
BOTTOM VIEW



CIRCUIT DIAGRAM

ELECTRO-MECHANICAL CHARACTERISTICS

|                    |                             |
|--------------------|-----------------------------|
| Rating             | 0.3A 50V DC                 |
| Circuit            | 1P2T                        |
| Contact Resistance | < 100 mΩ MAX                |
| Timing             | NON-SHORTING                |
| Operation Mode     | NON-LOCK                    |
| Stroke             | FULL 2.2mm, CONTACT 1.3±0.3 |
| Operating Force    | 70gf ± 20gf                 |
| Operating Life     | 10,000 cycles               |



| NO. | PARTS        | MATERIALS      | Q'TY | FINISHING | TOLERANCE<br>UNLESS SPECIFIED<br>WITHIN 1.5mm : ±0.1mm<br>OVER 1.5mm : ±0.2mm | THESE DRAWINGS AND SPECIFICATIONS<br>ARE THE PROPERTY OF DONGGUAN<br>TIANDU TECHNOLOGY CO., LTD. AND<br>SHALL NOT BE REPRODUCED, COPIED<br>OR USED IN ANY MANNER WITHOUT<br>THE PRIOR WRITTEN CONSENT OF<br>DONGGUAN TIANDU TECHNOLOGY CO., LTD | DESCRIPTIONS OF REVISION       | APPD.     |           |
|-----|--------------|----------------|------|-----------|---|---|--------------------------------|-----------|-----------|
| 8   |              |                |      |           |   |   |                                |           |           |
| 7   |              |                |      |           |   |   |                                |           |           |
| 6   | SPRING       | STEEL WIRE     | 1    | NATURAL   |   |   |                                |           |           |
| 5   | CONTACT CLIP | PBS STRIP      | 1    | Ag PLATED |   |   |                                |           |           |
| 4   | TERMINAL     | BRASS STRIP    | 3    | Ag PLATED |   |   |                                |           |           |
| 3   | BASE         | PHENOLIC RESIN | 1    | NATURAL   |   |   |                                |           |           |
| 2   | FRAME        | STEEL STRIP    | 1    | NI PLATED |   |   |                                |           |           |
| 1   | KNOB         | POM            | 1    | BLACK     |   |   |                                |           |           |
|     |              |                |      |           | TITLE : HORIZONTAL PUSH SWITCH  | UNIT : mm   | DRWG NO.: CMTDDZ-T5-123003AN00 |           |           |
|     |              |                |      |           | MODEL: T5-123003AN  | SCALE: 4:1  | DWN.                           | ERIC      | 2013-6-17 |
|     |              |                |      |           | CMTDDZ 东莞市田都科技有限公司<br>DONGGUAN TIANDU TECHNOLOGY CO., LTD.                    | CHK'D   | MAIKO                          | 2013-6-17 |           |
|     |              |                |      |           |   | APPD.   | Coco                           | 2013-6-17 |           |

