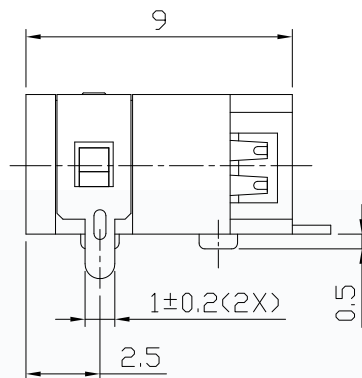
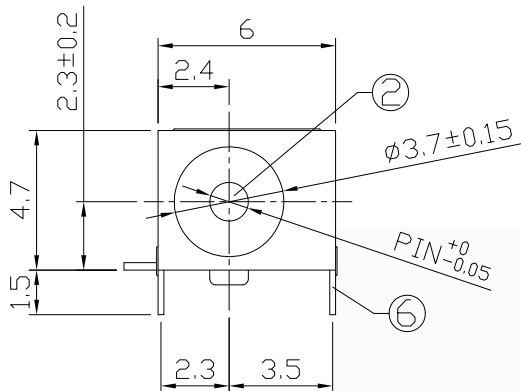
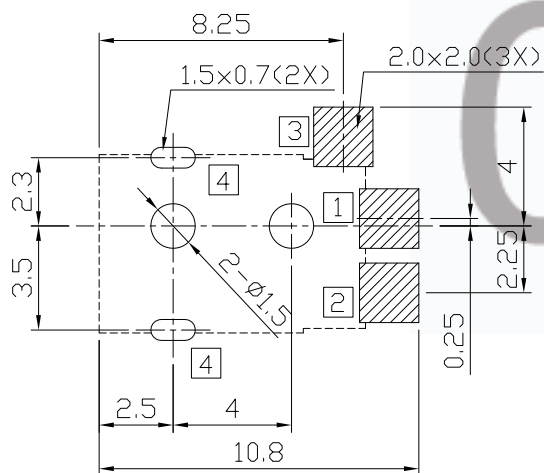


CAD FILE:

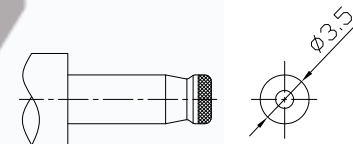
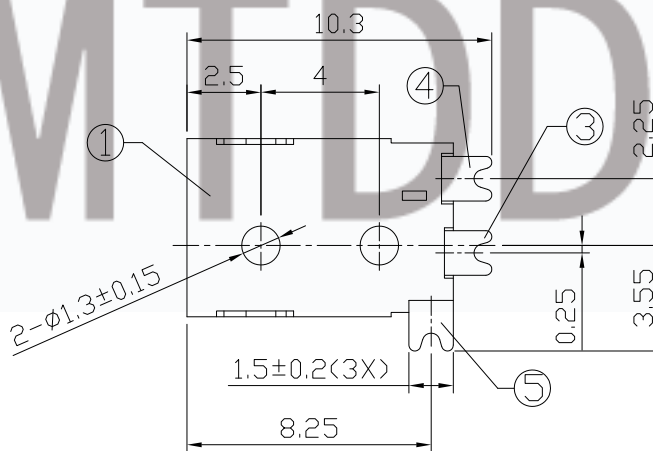


Specification:

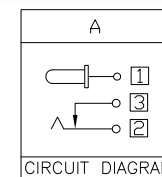
1. Rating : DC 12V 1A.
2. Contact resistance: $\leq 30m\Omega$
After test: $\leq 50m\Omega$
3. Insulation resistance: $\geq 100M\Omega$ (500VDC).
After test: $\geq 50M\Omega$
4. Withstanding voltage: 500VAC.
5. Insertion and extraction force: 3N~30N.
6. Life test: 5000cycles min.
7. Operation temperature range: $-20^{\circ}C \sim 70^{\circ}C$
8. Preservative temperature range: $-40^{\circ}C \sim 85^{\circ}C$



RECOMMENDED P.C.B. LAYOUT
UNSPECIFIED TOLERANCE: ± 0.05
(TOP-SIDED VIEW)



DC MATE PLUG



Model No.	C	E
CENTER PIN	$\phi 1.0$	$\phi 1.3$

⑥	Shield plate	④	Brass t0.2	1	Tin plating
⑤	Shunt terminal	③	Brass t0.25	1	Silver plating
④	Tip spring	②	Beryllium bronze t0.3	1	Silver plating
③	Center pin terminal	①	Brass t0.2	1	Silver plating
②	Center pin	①	Brass	1	CuSn/Nickel plating
①	Housing		LCP,UL 94V-0	1	Black
NO.	PARTS		MATERIAL	Q'TY	FINISHING

TOLERANCE UNLESS SPECIFIED WITHIN 1.5mm : $\pm 0.1mm$ OVER 1.5mm : $\pm 0.2mm$	THESE DRAWINGS AND SPECIFICATIONS ARE THE PROPERTY OF DONGGUAN TIANDU ELECTRONICS CO.,LTD. AND SHALL NOT BE REPRODUCED, COPIED OR USED IN ANY MANNER WITHOUT THE PRIOR WRITTEN CONSENT OF DONGGUAN TIANDU ELECTRONICS CO., LTD		DESCRIPTIONS OF REVISION		APPD.
	TITLE : PC POWER JACK SOCKET		UNIT : mm	DRWG NO.: CMTDDZ-T12-045A-0000	
MODEL: T12-045A-XX-A		SCALE: 3:1	DWN.	ERIC	2013-6-17
CMTDDZ 东莞市田都科技有限公司 DONGGUAN TIANDU TECHNOLOGY CO.,LTD.		CHK'D	MAIKO	2013-6-17	
		APPD.	Coco	2013-6-17	