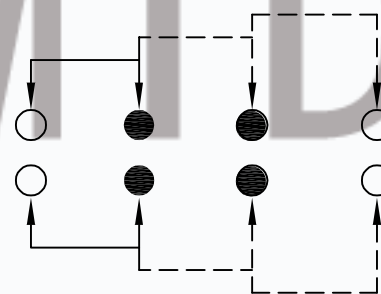
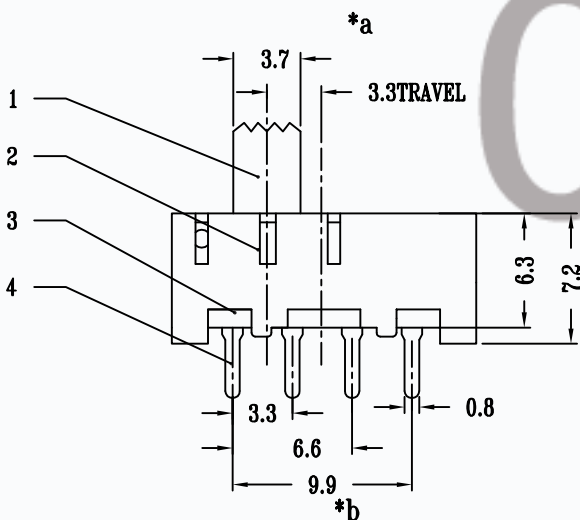
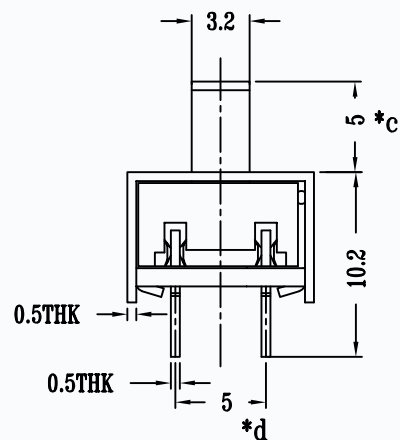
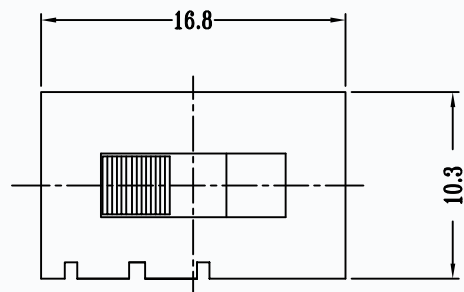
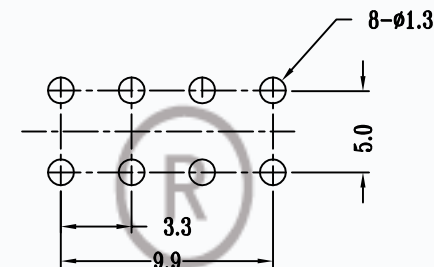




CAD FILE:

SCHEMATIC (NON-SHORTING)  
CIRCUIT DIAGRAM

MODEL NO.	KNOB(G)
T2-233040-G	(2~10)mm



P.C.B. LAYOUT

## SPECIFICATIONS

Rating	AC250V 3A
CIRCUIT	2P3T
Insulation Resistance	> 100 MΩ
Travel	4mm
Contact Resistance	< 100 mΩ
Operating Force	250gf ± 100gf
Operating Life	10,000 cycles

NO.	PARTS	MATERIALS	Q'TY	FINISH	TOLERANCE UNLESS SPECIFIED WITHIN 1.5mm : ±0.1mm OVER 1.5mm : ±0.2mm		THESE DRAWINGS AND SPECIFICATIONS ARE THE PROPERTY OF DONGGUAN TIANDU TECHNOLOGY CO.,LTD. AND SHALL NOT BE REPRODUCED, COPIED OR USED IN ANY MANNER WITHOUT THE PRIOR WRITTEN CONSENT OF DONGGUAN TIANDU TECHNOLOGY CO., LTD		DESCRIPTIONS OF REVISION		APPD.
8											
7	STEEL BALL	STEEL	1	NATURAL							
6	SPRING	STEEL WIRE	1	NATURAL							
5	CONTACT	PBS STRIP	2	Ag PLATED							
4	TERMINAL	BRASS STRIP	8	Ag PLATED	TITLE : VERTICAL SLIDE SWITCH		UNIT : mm		DRWG NO.: CMTDDZ-T2-233040-00		
3	BASE	PHENOLIC RESIN	1	NATURAL	MODEL: T2-233040-G		SCALE: 3:1		DWN.	ERIC	2013-6-17
2	FRAME	STEEL STRIP	1	NI PLATED	CMTDDZ 东莞市田都科技有限公司 DONGGUAN TIANDU TECHNOLOGY CO.,LTD.				CHK'D	MAIKO	2013-6-17
1	KNOB	PA66	1	BLACK					APPD.	Coco	2013-6-17