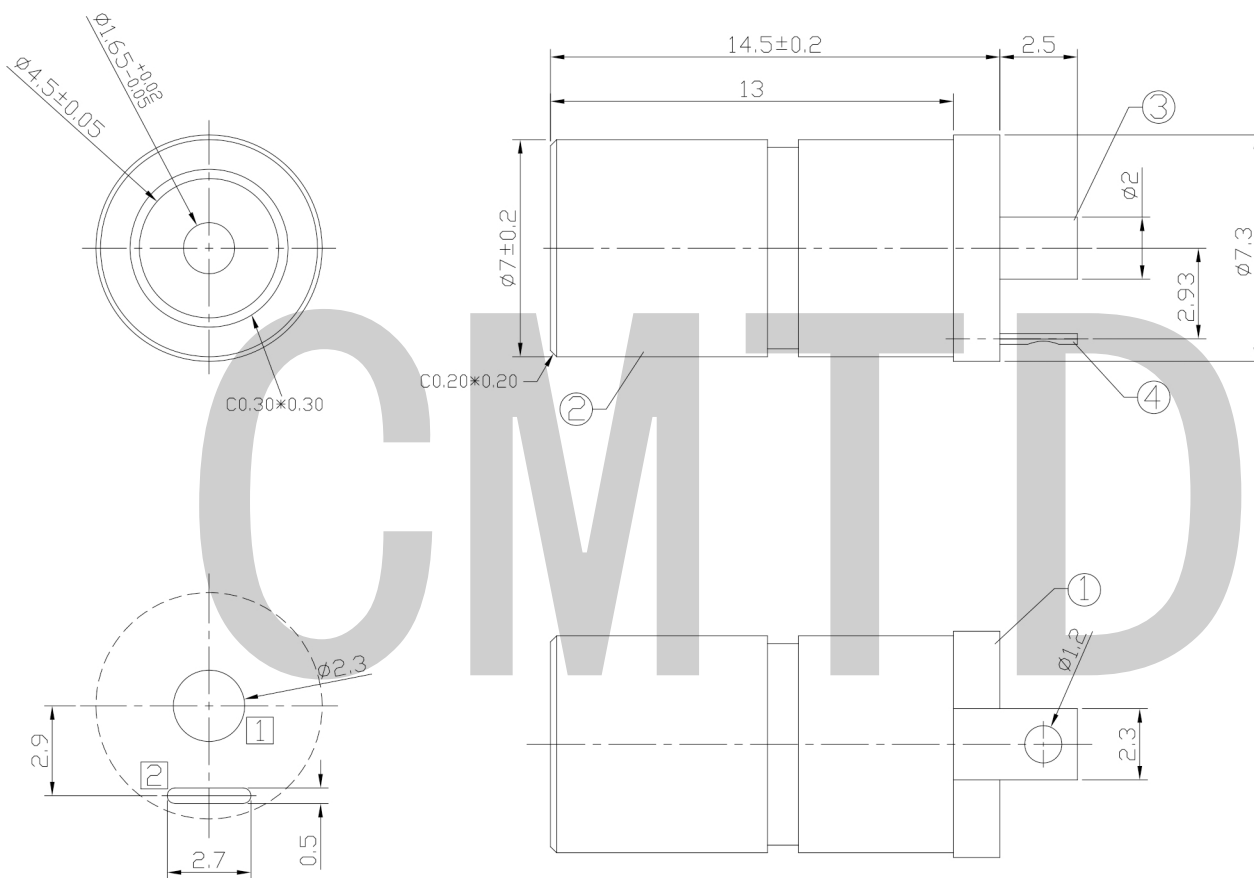




RoHS
Compliant
2002/95/EC

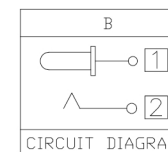
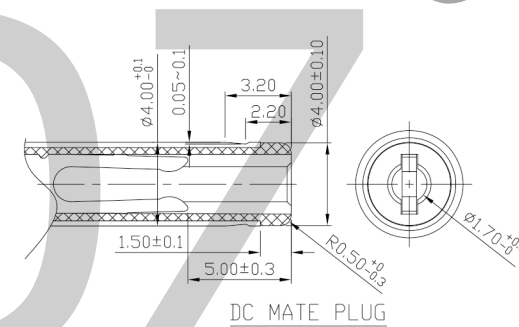
REV.	ECN.	NO.	APPD.

DIMENSIONS



SPECIFICATION:

1. Rating : DC 20V 3A;
2. Contact resistance : ≤50mΩ
After test: ≤100mΩ
3. Insulation resistance : ≥100MΩ (DC500V);
After test: ≥50MΩ
4. Withstand voltage : 500VAC ;
5. Insertion and extraction force : 3-30N;
6. Life test : 5,000 cycles;
7. Operation temperature range : -20°C~70°C;
8. Preservative temperature range : -40°C~85°C;



RECOMMENDED P.C.B. LAYOUT
UNSPECIFIED TOLERANCE: ±0.05
(TOP VIEW)

○ : ITEM NO. □ : TERMINAL NO.

NO.	PARTS	MATERIAL	Q'TY	FINISHING
④	Tip spring	Stainless steel	1	Tin plating
③	Center pin	Brass	1	Tin plating
②	Bushing	Brass	1	Nickel plating
①	Housing	PA66	1	

TOLERANCE UNLESS SPECIFIED		THESE DRAWINGS AND SPECIFICATIONS ARE THE PROPERTY OF DONGGUAN TIANDU ELECTRONICS CO.,LTD. AND SHALL NOT BE REPRODUCED, COPIED OR USED IN ANY MANNER WITHOUT THE PRIOR WRITTEN CONSENT OF DONGGUAN TIANDU ELECTRONICS CO., LTD		DESCRIPTIONS OF REVISION		APPD.
WITHIN 1.5mm : ±0.1mm						
OVER 1.5mm : ±0.2mm						
TITLE : DC JACK			UNIT : mm	DRWG NO.: CMTDDZ-T12-083-0000		
MODEL: T12-083-XX-A			SCALE: 3:1	DWN.	ERIC	2013-6-17
CMTDDZ 东莞市田都电子有限公司				CHK'D	MAIKO	2013-6-17
				APPD.	Coco	2013-6-17