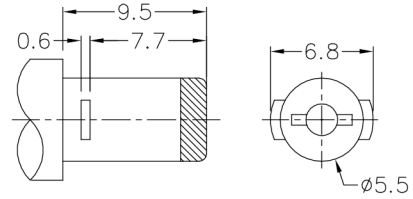
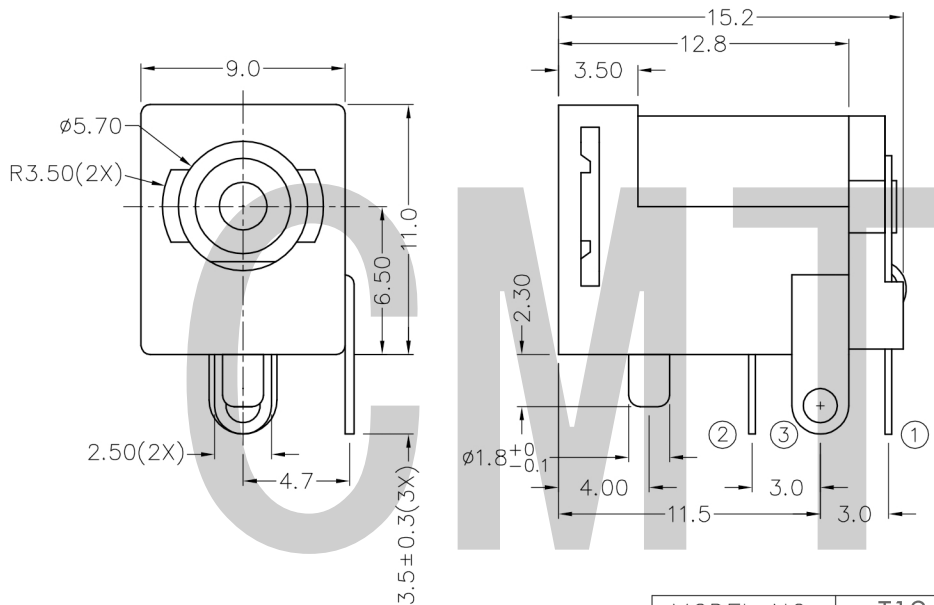
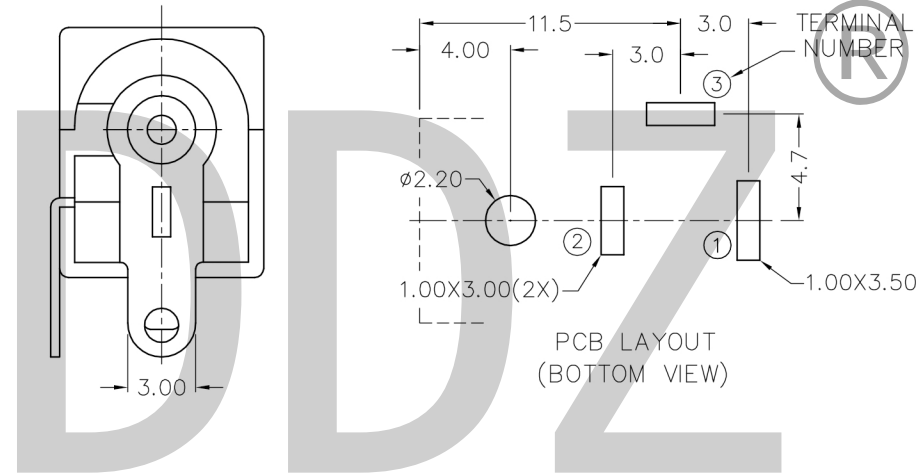


RoHS
Compliant

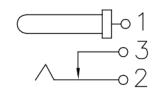
C		B		A	
ZONE	SYMBOL	REVISION	APPROVAL	DATE	



DC SPECIAL MATE PLUG



PCB LAYOUT
(BOTTOM VIEW)

MODEL NO.	T12-062
SCHEMATIC	
CENTER PIN	ø2mm
	ø2.5mm

- * MATERIAL
- CENTRE PIN : COPPER
 - TERMINAL 1 : BRASS
 - TERMINAL 2 : COPPER ALLOY
 - TERMINAL 3 : BRASS
 - HOUSING : PBT
 - COVER : PBT

**TOLERANCE
UNLESS SPECIFIED**
WITHIN 1.5mm : ±0.1mm
OVER 1.5mm : ±0.2mm

THESE DRAWINGS AND SPECIFICATIONS ARE THE PROPERTY OF DONGGUAN TIANDU TECHNOLOGY CO.,LTD. AND SHALL NOT BE REPRODUCED, COPIED OR USED IN ANY MANNER WITHOUT THE PRIOR WRITTEN CONSENT OF DONGGUAN TIANDU ELECTRONICS CO., LTD.

TITLE : DC POWER JACK

UNIT : mm DRWG NO.: CMTDDZ-T12-062-0000

MODEL: T12-062-XX-A

SCALE: 3:1 DWN. ERIC 2013-6-17

CMTDDZ 东莞市田都科技有限公司
DONGGUAN TIANDU TECHNOLOGY CO.,LTD.

CHK'D MAIKO 2013-6-17
APPD. Coco 2013-6-17

APPD.	DESCRIPTIONS OF REVISION