

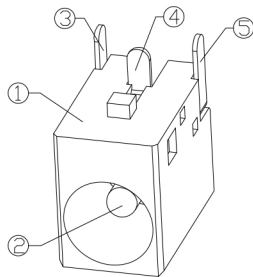


RoHS
Compliant
2002/95/EC

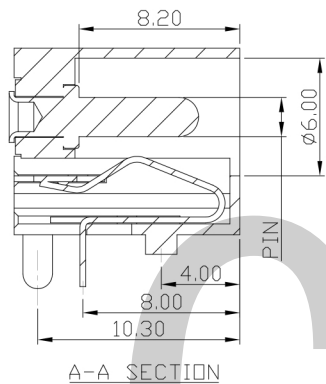
Halogen Free

DIMENSIONS

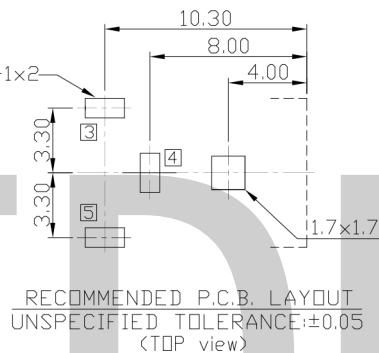
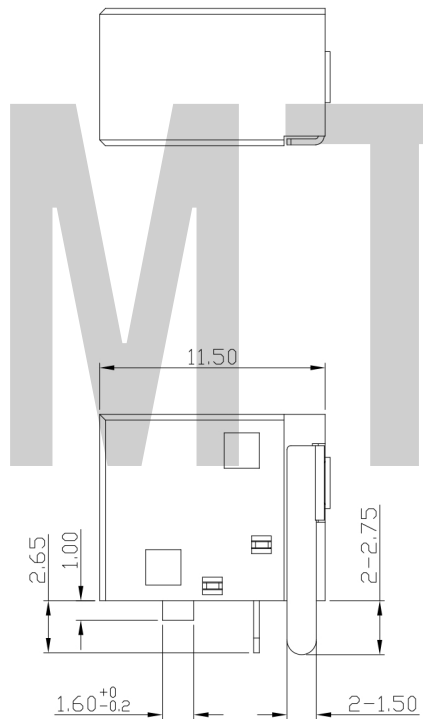
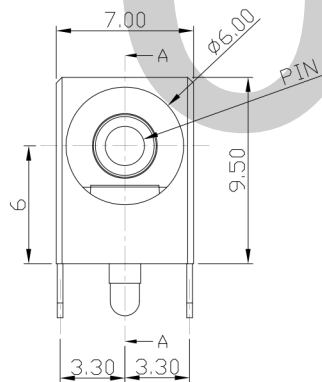
REV.	ECN.	NO.	APPD.



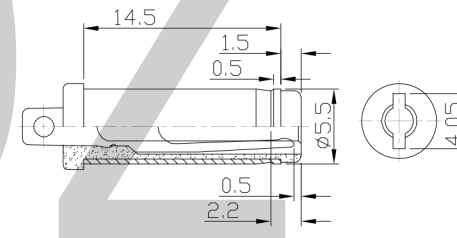
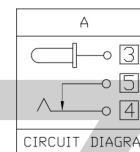
Specification:
 1.Rating :DC 24V 7A.
 2.Contact resistance : $\leq 30m\Omega$
 3.Insulation resistance : $\geq 100M\Omega$ (DC500V).
 4.Withstanding voltage: 500VAC .
 5.Insertion and extraction force: 3~30N.
 6.life test: 5000cycles min.
 7.Operation temperature range:-25°C~85°C



A-A SECTION



RECOMMENDED P.C.B. LAYOUT
 UNSPECIFIED TOLERANCE: ± 0.05
 (TOP view)



DC MATE PLUG
 (TOLERANCE ± 0.05)

Model No.	T12-036-20	T12-036-25
CENTER PIN	$\phi 2.0$	$\phi 2.5$

Bill of materials:

NO.	PARTS	MATERIAL	Q'TY	FINISHING
5	SHUNT TERMINAL	BRASS T=0.30	1	Ag 20U" OVER NI 50U"
4	SPRING TERMINAL	PBS T=0.30	1	Ag 20U" OVER NI 50U"
3	CENTER PIN TERMINAL	BRASS T=0.30	1	Ag 20U" OVER NI 50U"
2	CENTER PIN	BRASS	1	NI 60U" OVER CU80U"
1	P1 HOUSING	PA10T BLACK	1	UL94V-0

TOLERANCE UNLESS SPECIFIED		THESE DRAWINGS AND SPECIFICATIONS ARE THE PROPERTY OF DONGGUAN TIANDU ELECTRONICS CO.,LTD. AND SHALL NOT BE REPRODUCED, COPIED OR USED IN ANY MANNER WITHOUT THE PRIOR WRITTEN CONSENT OF DONGGUAN TIANDU ELECTRONICS CO., LTD		DESCRIPTIONS OF REVISION		APPD.
WITHIN 1.5mm : $\pm 0.1mm$ OVER 1.5mm : $\pm 0.2mm$						
TITLE : DC JACK			UNIT : mm	DRWG NO.: CMTDDZ-T12-036-0000		
MODEL: T12-036-XX-A			SCALE: 3:1	DWN.	ERIC	2013-6-17
CMTDDZ 东莞市田都电子有限公司			CHK'D	MAIKO	2013-6-17	
DONGGUAN TIANDU ELECTRONICS CO.,LTD.			APPD.	Coco	2013-6-17	