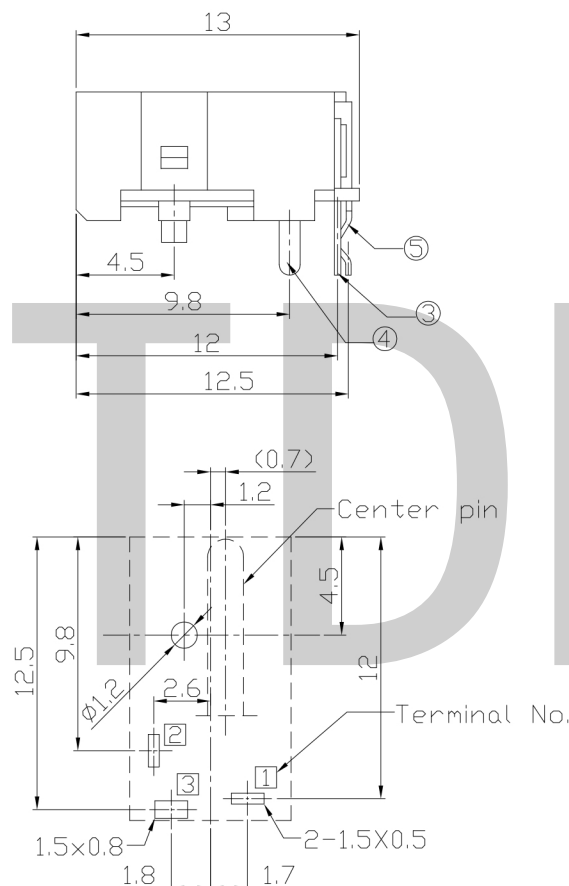
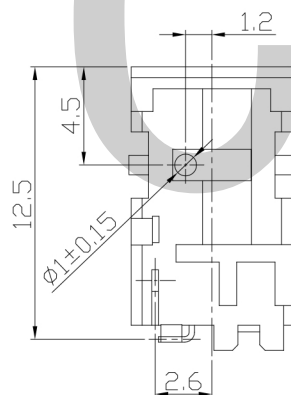
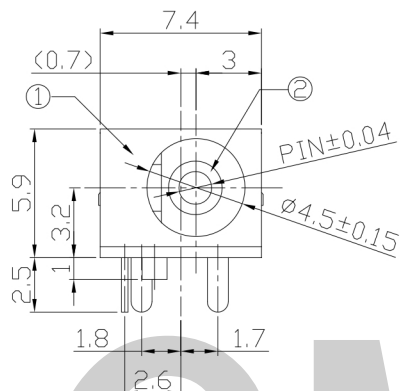




RoHS  
Compliant  
2002/95/EC

REV.	ECN.	NO.	APPD.

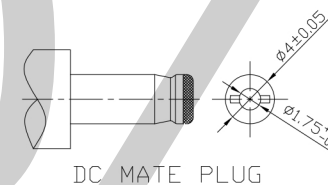
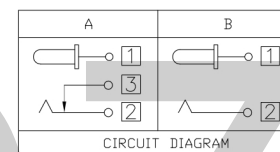
### DIMENSIONS



P.C.B Layout  
(Copper-sided view)

### SPECIFICATION:

1. Rating : DC 20V 3A;
2. Contact resistance:  $\leq 30m\Omega$ ;
3. Insulation resistance:  $\geq 100M\Omega$  (DC250V);
4. Withstand voltage: 500VAC ;
5. Insertion and extraction force: 3-30N;
6. Life test: 5,000 cycles;
7. Operation temperature range:  $-20^{\circ}C \sim 70^{\circ}C$ ;
8. Preservative temperature range:  $-40^{\circ}C \sim 85^{\circ}C$ ;



Model No.	T12-030A-16
CENTER PIN	$\phi 1.65$

○: ITEM NO.    □: TERMINAL NO.

NO.	PARTS	MATERIAL	Q'TY	FINISHING
⑤	Shunt terminal ③	Brass t=0.25	1	Silver plating
④	Tip spring ②	Phosphor bronze t=0.3	1	Silver plating
③	Center pin terminal ①	Brass t=0.3	1	Silver plating
②	Center pin ①	Brass	1	Nickel plating
①	Housing	PBT/PA46	1	

<b>TOLERANCE UNLESS SPECIFIED</b>		<b>THESE DRAWINGS AND SPECIFICATIONS ARE THE PROPERTY OF DONGGUAN TIANDU ELECTRONICS CO.,LTD. AND SHALL NOT BE REPRODUCED, COPIED OR USED IN ANY MANNER WITHOUT THE PRIOR WRITTEN CONSENT OF DONGGUAN TIANDU ELECTRONICS CO., LTD</b>			
WITHIN 1.5mm : ±0.1mm				DESCRIPTIONS OF REVISION	
OVER 1.5mm : ±0.2mm				APPD.	
TITLE : DC JACK			UNIT : mm	DRWG NO.: CMTDDZ-T12-030A-0000	
MODEL: T12-30A-XX-A			SCALE: 3:1	DWN.	ERIC
CMTDDZ 东莞市田都电子有限公司				CHK'D	MAIKO
DONGGUAN TIANDU ELECTRONICS CO.,LTD.				APPD.	Coco
					2013-6-17
					2013-6-17
					2013-6-17