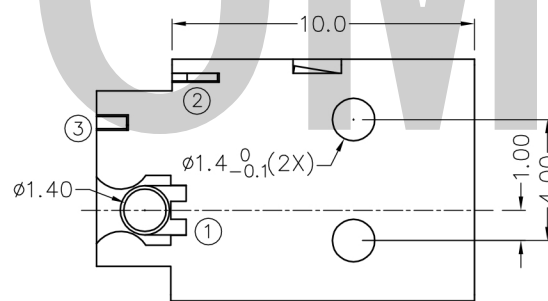
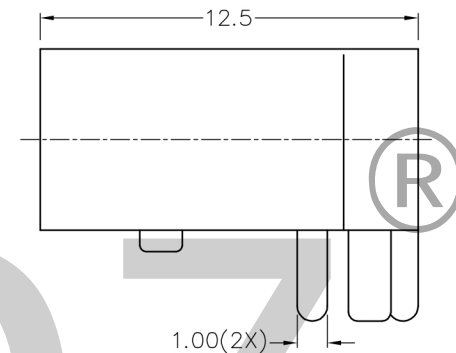
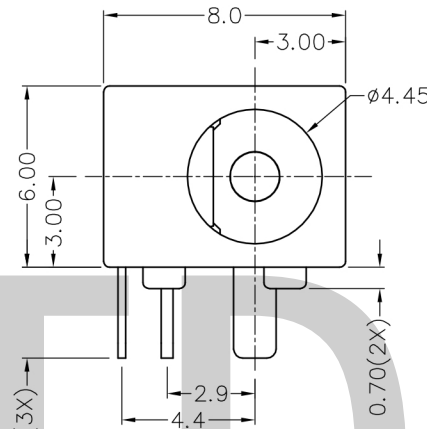
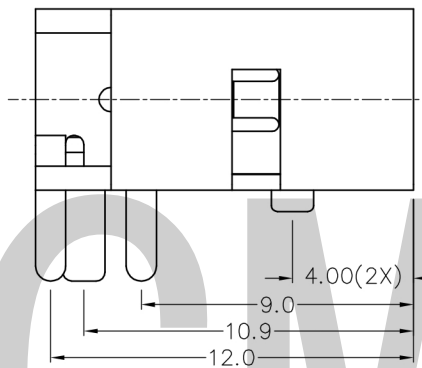
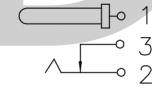


DC MATE PLUG

RoHS
Compliant

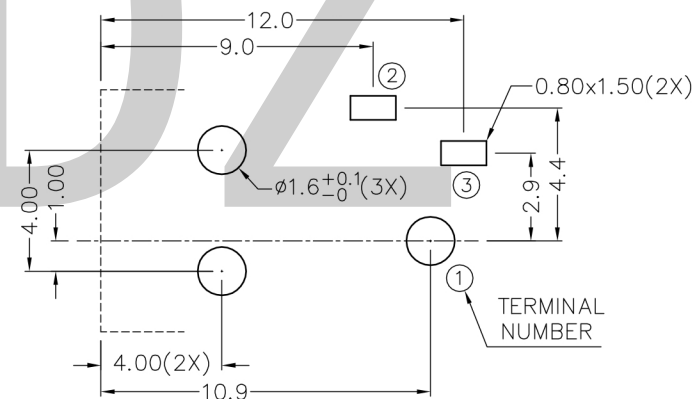
C		B		A	
ZONE	SYMBOL	REVISION	APPROVAL	DATE	



MODEL NO.	T12-023
SCHEMATIC	
CENTER PIN	$\phi 1.65\text{mm}$

* MATERIAL

- TERMINAL 1 : BRASS
- TERMINAL 2 : COPPER ALLOY
- TERMINAL 3 : BRASS
- HOUSING : PBT



PBC LAYOUT
(TOP VIEW)

TOLERANCE
UNLESS SPECIFIED
WITHIN 1.5mm : $\pm 0.1\text{mm}$
OVER 1.5mm : $\pm 0.2\text{mm}$

THESE DRAWINGS AND SPECIFICATIONS ARE THE PROPERTY OF DONGGUAN TIANDU TECHNOLOGY CO.,LTD. AND SHALL NOT BE REPRODUCED, COPIED OR USED IN ANY MANNER WITHOUT THE PRIOR WRITTEN CONSENT OF DONGGUAN TIANDU ELECTRONICS CO., LTD.

TITLE : DC POWER JACK		UNIT : mm	DRWG NO.:CMTDDZ-T12-023-0000		
MODEL: T12-023-XX-A		SCALE: 3:1	DWN.	ERIC	2013-6-17
CMTDDZ 东莞市田都科技有限公司 DONGGUAN TIANDU TECHNOLOGY CO.,LTD.		APPD.	CHK'D	MAIKO	2013-6-17
			APPD.	Coco	2013-6-17

APPD.	DESCRIPTIONS OF REVISION