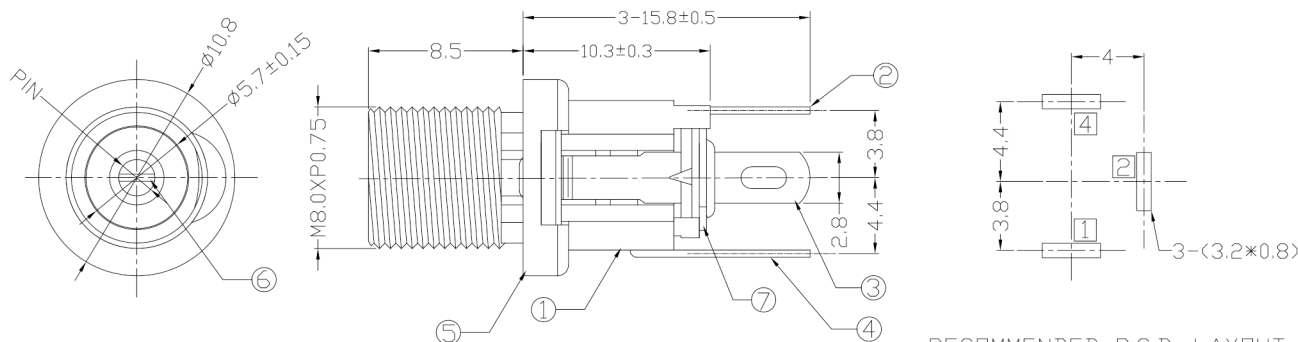




RoHS  
Compliant  
2002/95/EC

REV.	ECN.	NO.	APPD.

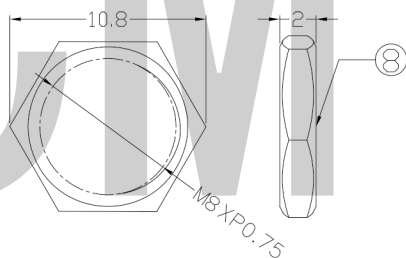
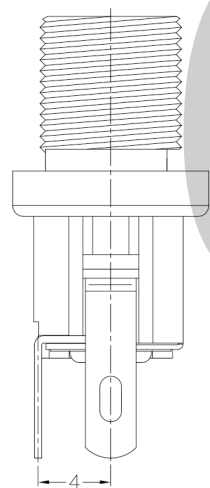
### DIMENSIONS



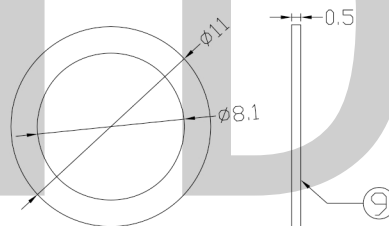
### SPECIFICATION:

1. Rating : DC 30V 3A;
2. Contact resistance :  $\leq 30m\Omega$  ;  
After test:  $\leq 50m\Omega$
3. Insulation resistance :  $\geq 100M\Omega$  (DC500V);  
After test:  $\geq 50M\Omega$
4. Withstand voltage : 500VAC ;
5. Insertion and extraction force : 3-30N;
6. life test : 5,000 cycles;
7. Operation temperature range :  $-20^{\circ}C \sim 70^{\circ}C$ ;
8. Preservative temperature range :  $-40^{\circ}C \sim 85^{\circ}C$ ;

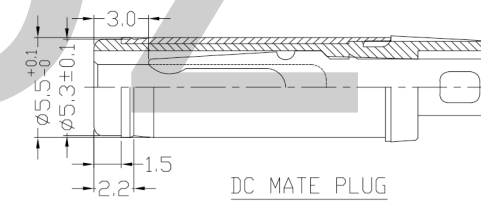
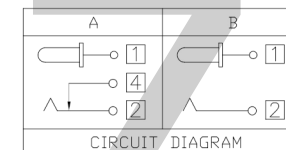
RECOMMENDED P.C.B. LAYOUT  
UNSPECIFIED TOLERANCE:  $\pm 0.05$   
(TOP VIEW)



Nut



Washer



Model No.	T12-025BM-20	T12-025BM-23	T12-025BM-25
CENTER PIN	$\phi 2.0$	$\phi 2.35$	$\phi 2.5$

NO.	PARTS	MATERIAL	Q'TY	FINISHING
⑨	Washer	Stel	1	Ni-plating
⑧	Nut	Brass	1	Ni-plating
⑦	Washer	Bakelite	2	
⑥	Pin	Bronze	1	Ni-plating
⑤	Bushing	Brass	1	Ni-plating
④	Shunt Terminal ④	Brass	1	Cu-Sn-Plating
③	Tip Spring ②	Phosphor bronze	1	Cu-Sn-Plating
②	Center pin terminal ①	Brass	1	Cu-Sn-Plating
①	Housing	PBT	1	Black

<b>TOLERANCE UNLESS SPECIFIED</b>		<small>THESE DRAWINGS AND SPECIFICATIONS ARE THE PROPERTY OF DONGGUAN TIANDU ELECTRONICS CO.,LTD. AND SHALL NOT BE REPRODUCED, COPIED OR USED IN ANY MANNER WITHOUT THE PRIOR WRITTEN CONSENT OF DONGGUAN TIANDU ELECTRONICS CO., LTD</small>		DESCRIPTIONS OF REVISION		APPD.
WITHIN 1.5mm : $\pm 0.1mm$ OVER 1.5mm : $\pm 0.2mm$						
TITLE : DC JACK			UNIT : mm	DRWG NO.: T12-025BM-XX-0000		
MODEL: T12-025BM-XX-A			SCALE: 3:1	DWN.	ERIC	2013-6-17
<b>CMTDDZ</b> 东莞市田都电子有限公司 DONGGUAN TIANDU ELECTRONICS CO.,LTD.			CHK'D		MAIKO	2013-6-17
			APPD.		Coco	2013-6-17