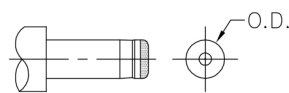
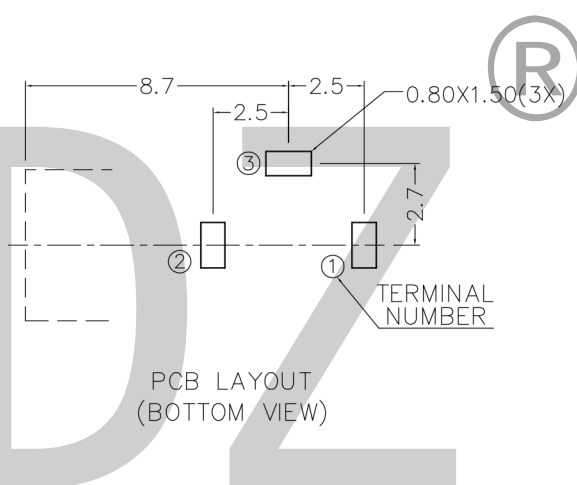
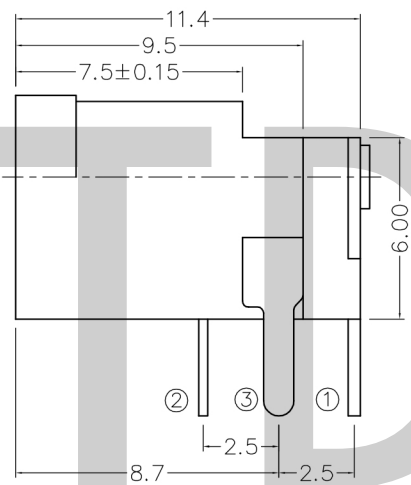
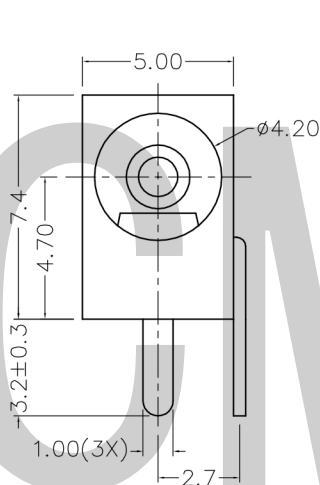
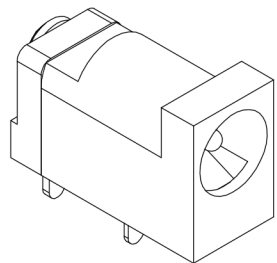


RoHS
Compliant

ZONE	SYMBOL	REVISION	APPROVAL	DATE
		CHANGE MATE PLUG	J.X.KUANG	21-9-2006



DC MATE PLUG

MODEL NO.	T12-002-10	T12-002-13	T12-002-16
SCHEMATIC			
CENTER PIN	φ1mm	φ1.3mm	φ1.65mm
DC PLUG O.D.	φ3.4mm/φ3.8mm	φ3.4mm/φ3.8mm	φ3.8mm/φ4mm

* MATERIAL

- CENTRE PIN : COPPER
- TERMINAL 1 : BRASS
- TERMINAL 2 : COPPER ALLOY
- TERMINAL 3 : BRASS
- HOUSING : PBT
- COVER : PBT

TOLERANCE
UNLESS SPECIFIED
WITHIN 1.5mm : ±0.1mm
OVER 1.5mm : ±0.2mm

THESE DRAWINGS AND SPECIFICATIONS ARE THE PROPERTY OF DONGGUAN TIANDU TECHNOLOGY CO.,LTD. AND SHALL NOT BE REPRODUCED. COPIED OR USED IN ANY MANNER WITHOUT THE PRIOR WRITTEN CONSENT OF DONGGUAN TIANDU ELECTRONICS CO., LTD.

TITLE : DC POWER JACK

UNIT : mm

DRWG NO.: CMTDDZ-T12-002-0000

MODEL: T12-002-XX-A

SCALE: 4:1

DWN. ERIC 2013-6-17

CMTDDZ 东莞市田都科技有限公司
DONGGUAN TIANDU TECHNOLOGY CO.,LTD.

CHK'D MAIKO 2013-6-17

APPD. Coco 2013-6-17

APPD. DESCRIPTIONS OF REVISION