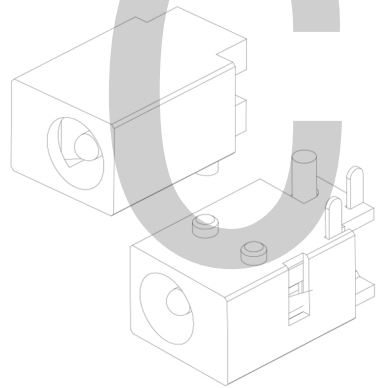


P.C.B LAYOUT
(TOP VIEW)

SPECIFICATION

1. Rating : DC 30V 2.0A ;
2. Contact resistance : $\leq 30m\Omega$;
3. Insulation resistance : $\geq 100M\Omega$;
4. Withstand voltage : 500VAC ;
5. Insertion and extraction force : 3-20N;
6. life test : 5,000 cycles °



MODEL NO.	DC-023A
SCHEMATIC	
CENTER PIN	$\phi 1.65$ mm

NO.	DESCRIPTION	QTY	MATERIAL	PLATING
4	PIN	1	BRASS	Ni-Plating
3	CURVE PIECE	1	BRASS	Ag-Plating
2	SPRING	1	PHOSPHOR BRONZE	Ag-Plating
1	HOUSING	1	PBT / PA9T	



东莞市田都电子有限公司
DongGuan TianDu Electronic Co.,Ltd

TOLERANCE UNLESS OTHERWISE STATED :

Up to 5 ± 0.2
Above 5 ~ 15 ± 0.3
Above 15 ~ 30 ± 0.4
Above 30 ~ 50 ± 0.5
Angle $\pm 0.3^\circ$

3RD. ANGEL'S



UNITS

MM

DRAWN BY:	DATE	MAT'L	TITLE	JACK
Jack Lu	10/05/16			
CHECKED BY:	DATE	FINISH	MODLE	DC JACK
Jacky Chen	10/05/16			
APPROVED BY:	DATE	SCALE	DWG NO.	DC023A
Tony Kao	10/05/16	1 : 1		
		SHEET NO.	PART NO.	
		1 of 1		

ITEM NO.	DESCRIPTION	DRAWN	DATE
1	更新為A0版	Jack	100516

SIZE
A4
VER
A0