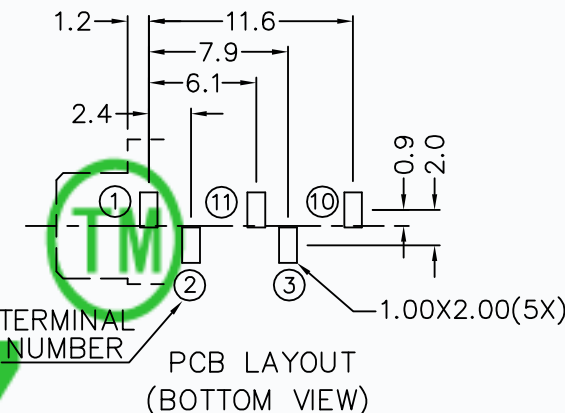
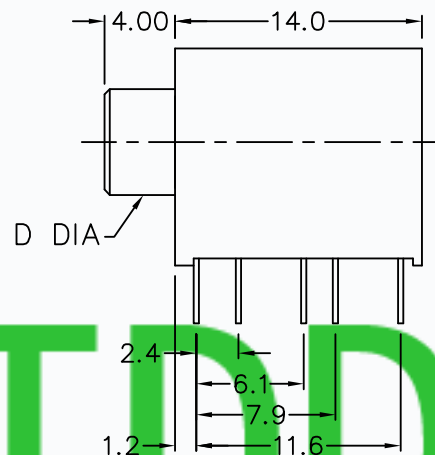
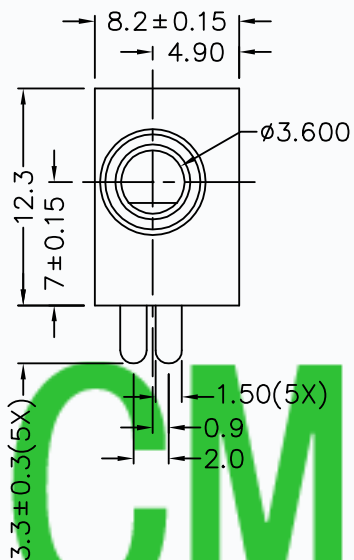
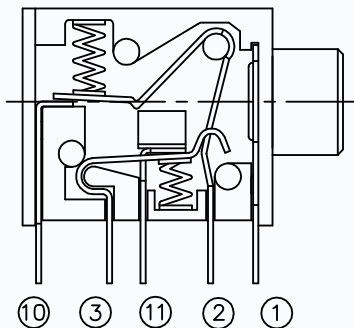
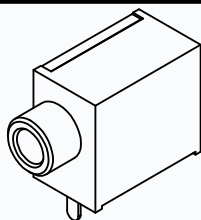


CAD FILE:

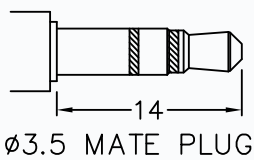


CMTDDZ

THREADED	M6X0.5	MODEL NO.	T13-35355N	T13-35354AN	T13-35354BN	T13-35353N	T13-35353AN
FLASHED	ø6.0	MODEL NO.	T13-35355F	T13-35354AF	T13-35354BN	T13-35353F	T13-35353AF
D DIA		SCHEMATIC					

\* MATERIAL

- TERMINAL 1 : BRASS
- TERMINAL 2 : BRASS
- TERMINAL 3 : BRASS
- TERMINAL 10 : BRASS
- TERMINAL 11 : BRASS
- BUSHING : BRASS
- SPRING : STAINLESS STEEL
- HOUSING : PBT
- COVER : PBT



ø3.5 MATE PLUG

**TOLERANCE**  
UNLESS SPECIFIED  
WITHIN 1.5mm : ±0.1mm  
OVER 1.5mm : ±0.2mm

THESE DRAWINGS AND SPECIFICATIONS ARE THE PROPERTY OF DONGGUAN TIANDU ELECTRONICS CO.,LTD. AND SHALL NOT BE REPRODUCED, COPIED OR USED IN ANY MANNER WITHOUT THE PRIOR WRITTEN CONSENT OF DONGGUAN TIANDU ELECTRONICS CO., LTD.

TITLE : 3.5mm PHONE JACK

UNIT : mm

DRWG NO.: CMTDDZ-T13-3535-00

MODEL: T13-3535

SCALE: 3:1

DWN. ERIC 2013-6-17

**CMTDDZ** 东莞市田都电子有限公司  
DONGGUAN TIANDU ELECTRONICS CO.,LTD.

CHK'D MAIKO 2013-6-17

APPD. DESCRIPTIONS OF REVISION

APPD. Coco 2013-6-17