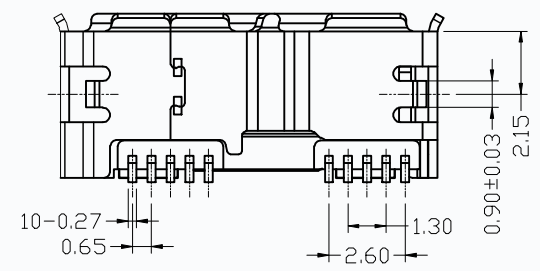
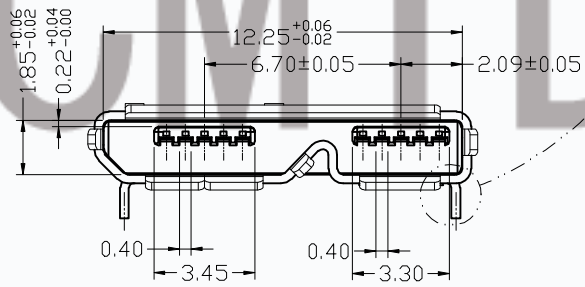
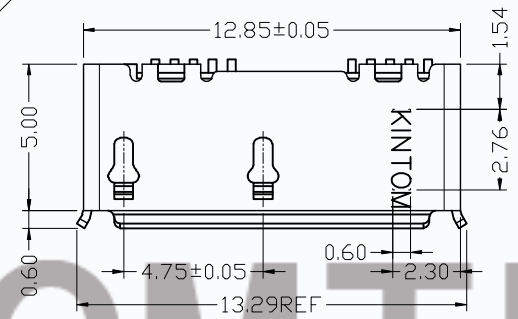
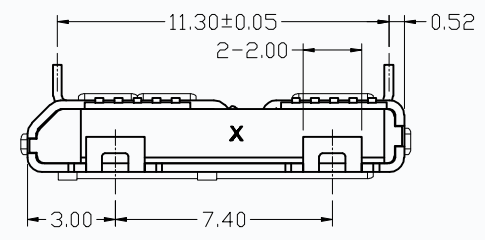
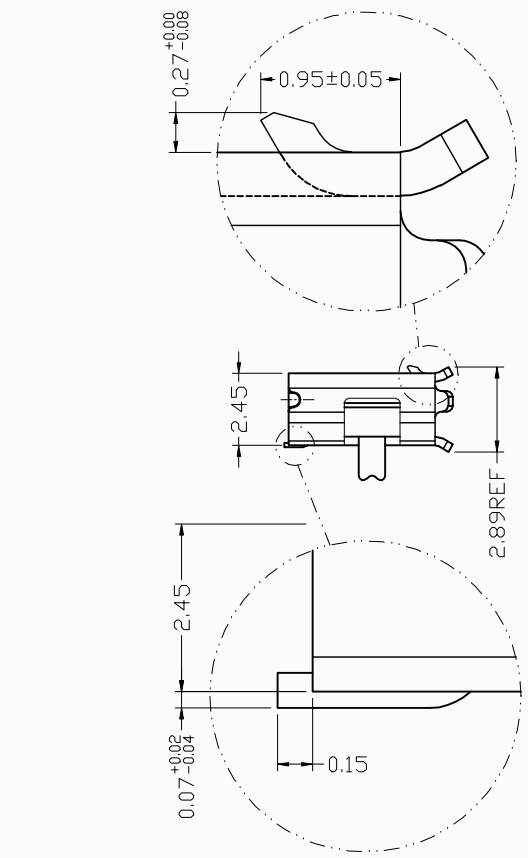


RECOMMEND PCB LAYOUT(TOP VIEW)
GENERAL TOLERANCE ±0.05

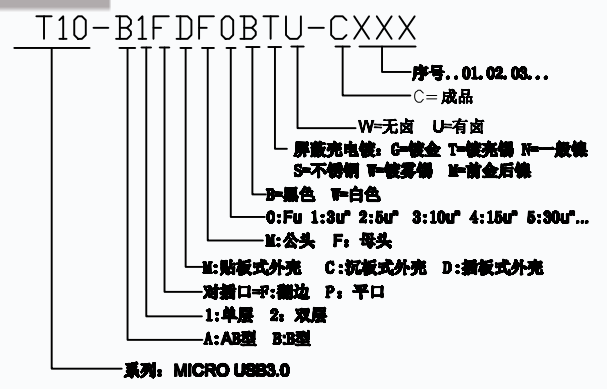


Version	Change content	DATE
A	新图发行	26/Jun-'14

产品图

- NOTES:
- MECHANICAL:
MATING FORCE: 35N MAX.
UNMATING FORCE: 10N MIN,INITIAL.
8~20N AFTER 10000 CYCLES.
DURABILITY: 5000 CYCLES MIN.
 - ELECTRICAL:
CURRENT: 1.0A
VOLTAGE: 30V MAX
WITHSTANDING VOLTAGE: 100V AC
CONTACT RESISTANCE: 30 mΩ MAX INITIAL;
40 mΩ MAX AFTER 10000 CYCLES
 - ENVIRONMENTAL
OPERATING TEMPERATURE RANGE -30°C ~ +80°C
 - SALT SPRAY : 24 H AT 35%DC WITH 5%-SALT-SOLUTION CONCENTRATION.
 - PRODUCT SPEC:SP-MICRO USB-001
 - PACKAGE SPEC:DWG-PK MUB-OXX
 - PRODUCT MEET FOR ROHS STANDARD

Part no. Note:



title: MICRO USB 3.0 双脚(DIP:11.3) 翻边母座		CMTDOZ 东莞市田都科技有限公司 DONGGUAN TIANDU TECHNOLOGY CO., LTD	
tolerances	app.	units	mould no.
linear	chk.	<input type="checkbox"/> mm <input type="checkbox"/> inch	avg no.
angles	dr.	size A4	T10-B1FDF0BTU-CXXX
projection	date.	26/Jun-'14	ele'l rigid q'ty

The following part fittings of a machine

PART NO.	PART NAME	Q'TY	Material
T10-F3BNM-H004	Housing	1	LCP 130i 黑色
T10-FPGOM-T003	Terminal	10	C5191R-H,T=0.15mm
T10-B1DFW-(S037~S038)	shell	1	SUS304-1/2H,T=0.30mm

PART NO.	DESCRIPTION	DIM A
T10-B1FDF0BTU-C051	MICRO USB 3.0 DIP(11.30MM)+2DIP ; WITH OUT 2PINS	