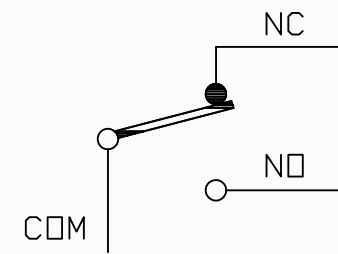
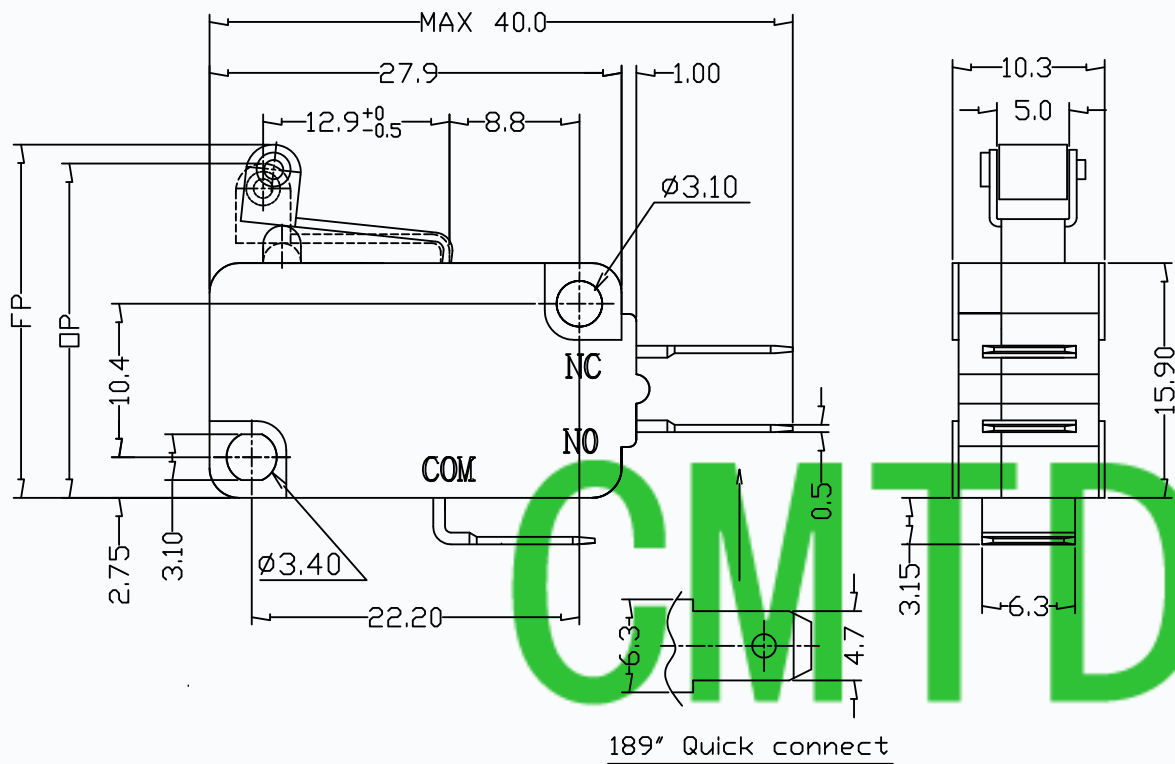


CAD FILE:

DIMENSIONS



CIRCUIT DIAGRAM



MODEL CODE

VM **XX-00** **XX-X** **S-XX**
 1 2 3 4 5 6 7

1. Series: VM
2. Current Rating: 06=6A 125/250VAC
 10=10A 125/250VAC
 15=15A 125/250VAC
 20=20A 125/250VAC
3. Actuator: 00=Non-lever 01-99=Lever
4. Termination: see chart (N/K/J/L/W/A)
 (7=SPST-NO/16=SPST-NC)
5. Operating Force: see chart
6. Spring Material: S=SUS304
7. Number

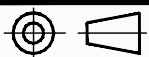
1.Functional spec

1.1 Rated Voltage	125/250VAC
1.2 Rated Current	6A/10A/15A/20A
1.3 Contact Resistance	≤100mΩ(Initial value)
1.4 Operating Force	160±40gf/250±50gf
1.5 Free Position	24.5±1.0mm
1.6 Operating Position	23.5±1.0mm

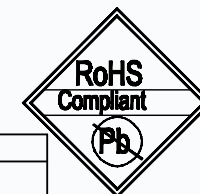
2.Reliable Rating

2.1 Mechanical Life	1,000,000CYCLES
2.2 Electrical Life	10,000CYCLES
2.3 Insulation Resistance	≥100MΩ DC500V(Initial value)
2.4 Withstand Voltage	AC1,500V 1minute(Initial value)
2.5 Soldering Temper	Hand Soldering
2.6 Ambient Humidity Used	<85%RH

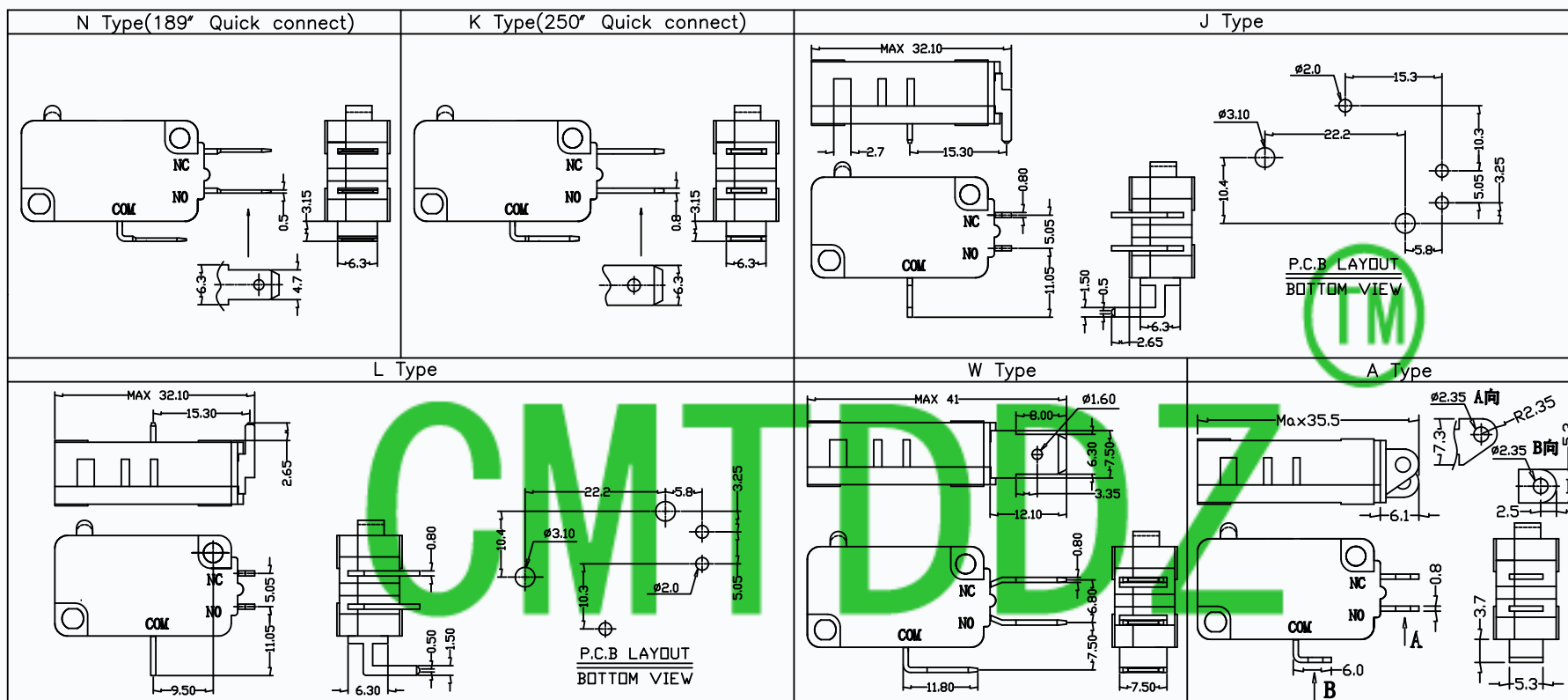
TOLERANCE UNLESS SPECIFIED				
TOLERANCE : ±0.2mm	A	2014-8-29	TIANDU ELECTRONICS	
	ISSUE	DATE	DESCRIPTIONS OF REVISION	APPD.
TITLE : MICRO SWITCH			UNIT : mm	DRWG NO.:TDU-VMXX-00XX-XS-XX
MODEL:SEE TABLE			SCALE:3:1	DWN. ERIC 2012-12-12
CMTDDZ 东莞市田都电子有限公司			CHK'D MAIKO	2012-12-12
DONGGUANSHI TIANDU ELECTRONIC CO.,LTD.			APPD. Coco	2012-12-12



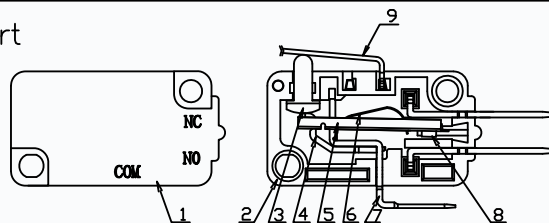
CAD FILE:



Terminal Type



Structure chart



Material list

NO.	PARTS	MATERIALS	Q'TY	FINISH	TOLERANCE UNLESS SPECIFIED		TOLERANCE : ±0.2mm		TITLE : MICRO SWITCH		UNIT : mm		DRWG NO.:TDU-VMXX-00XX-XS-XX	
8	Contact	Silver alloy	3	Silver Plating	A		2014-8-29		TIANDU ELECTRONICS		DWN.		ERIC 2012-12-12	
7	Terminal	C2680	3	Silver Plating	ISSUE		DATE		DESCRIPTIONS OF REVISION		APPD.		MAIKO 2012-12-12	
6	Spring Plate	C5210	1		CMTDDZ		DONGGUANSHI TIANDU ELECTRONIC CO.,LTD.		SCALE:3:1		APPD		Coco 2012-12-12	
5	Change Plate	C2680	1		MODEL:SEE TABLE									
4	Fixed Rod	C2680	1											
3	Button	PBT	1	Black										
2	Lower Housing	PBT	1	Black										
1	Upper Housing	PBT	1	Black										