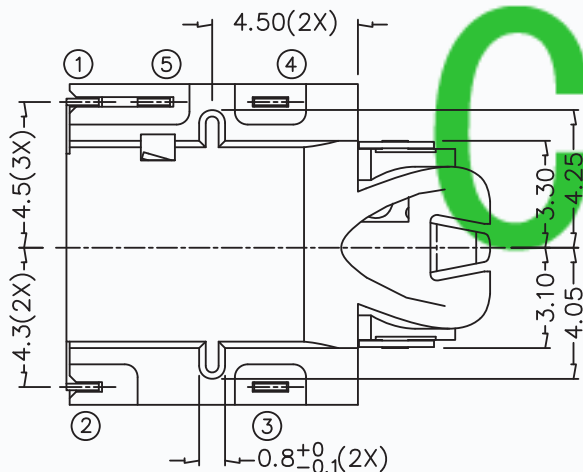
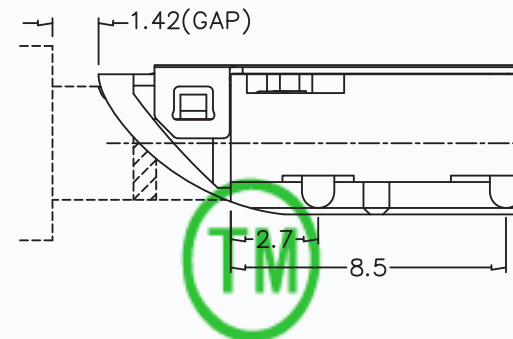
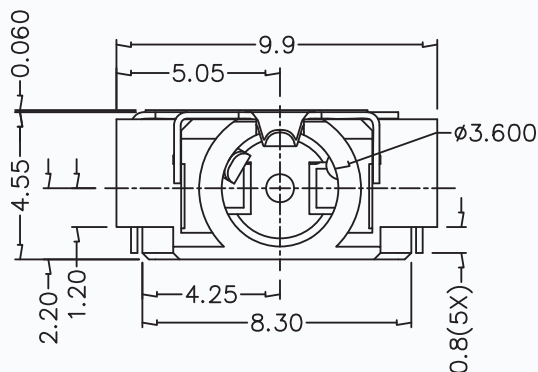
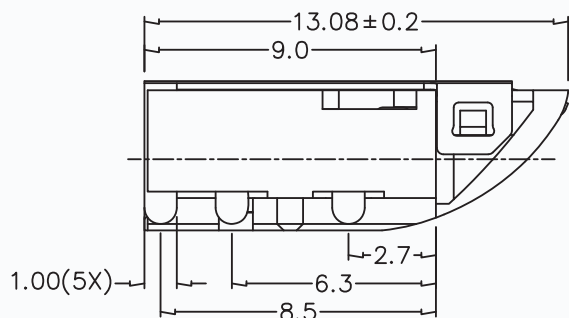
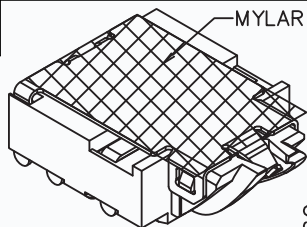


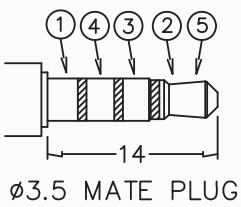
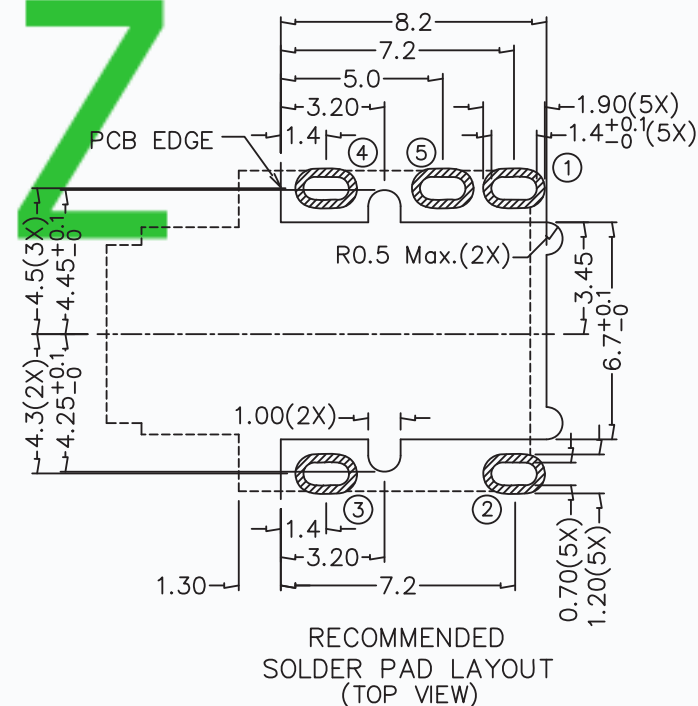
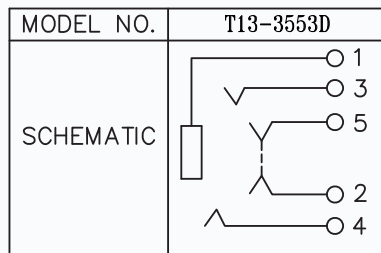
CAD FILE:



# CMTDDZ

**\* MATERIAL**

- TERMINAL 1 : COPPER ALLOY
- TERMINAL 2 : COPPER ALLOY
- TERMINAL 3 : COPPER ALLOY
- TERMINAL 4 : COPPER ALLOY
- TERMINAL 5 : COPPER ALLOY
- MYLAR : POLYIMIDE
- HOUSING : PA6T



		<b>TOLERANCE</b> UNLESS SPECIFIED WITHIN 1.5mm : ±0.1mm OVER 1.5mm : ±0.2mm	THESE DRAWINGS AND SPECIFICATIONS ARE THE PROPERTY OF DONGGUAN TIANDU ELECTRONICS CO.,LTD. AND SHALL NOT BE REPRODUCED. COPIED OR USED IN ANY MANNER WITHOUT THE PRIOR WRITTEN CONSENT OF DONGGUAN TIANDU ELECTRONICS CO., LTD	<b>TITLE : 3.5mm PHONE JACK</b>		UNIT : mm		DRWG NO.: CMTDDZ-T13-3553D-00		
				MODEL: T13-3553D		SCALE: 3:1		DWN.	ERIC	2013-6-17
				<b>CMTDDZ 东莞市田都电子有限公司</b> DONGGUAN TIANDU ELECTRONICS CO.,LTD.		CHK'D	MAIKO	2013-6-17		
APPD.	DESCRIPTIONS OF REVISION					APPD.	Coco	2013-6-17		