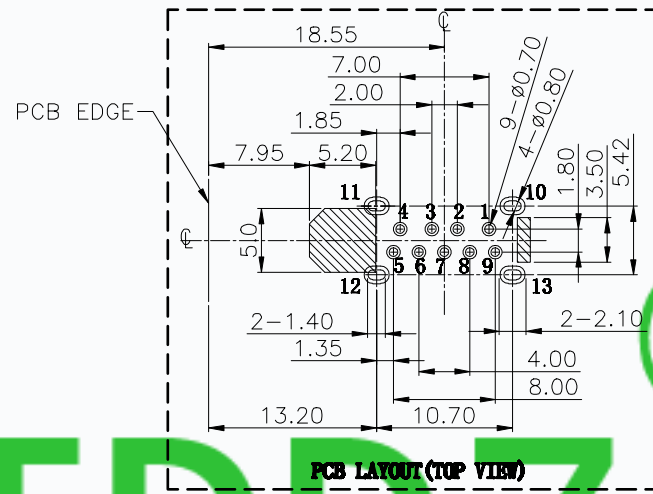
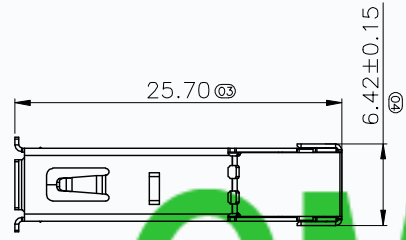
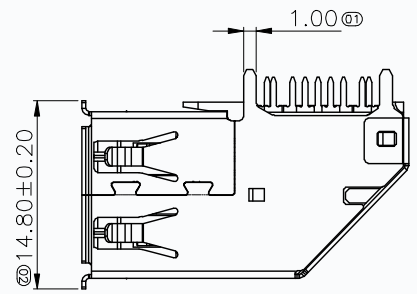


A

B

C

D

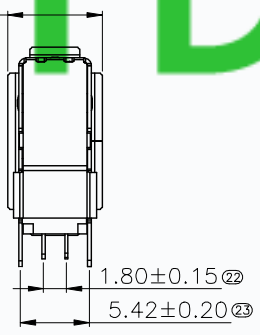
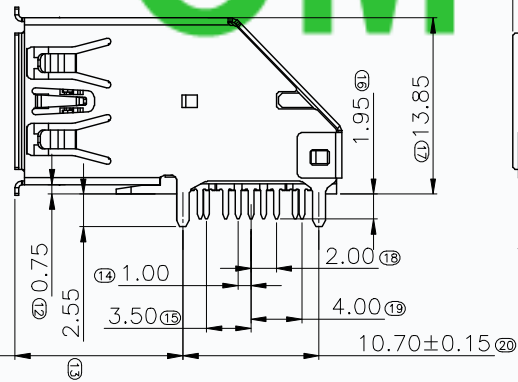
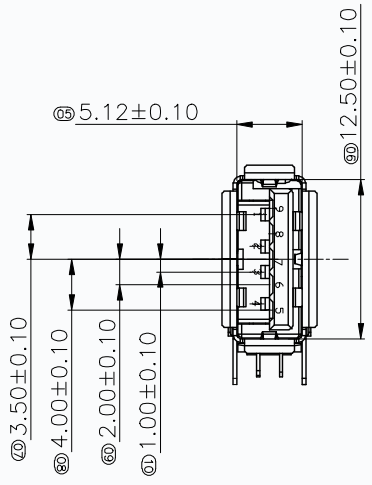


SPECIFICATIONS:
 Contact current Rating:
 1.8 Amperes for pin1&pin4.
 0.25 Amperes other contacts
 Dielectric Withstanding Voltage:AC 100V(RMS)
 Insulation resistance:100Megohms Minimum.
 Contact Resistance:
 30mΩ Max for pin1&pin4
 50mΩ Max for other contacts
Mechanical Characteristics:
 Mating Force:35 Newtons.Maximum
 Unmating Force:10 Newtons.Minimum.
 8N Min After Durability

MATERIAL:
 Housing: LCP
 Contact: copper alloy(T=0.25mm)
 Shell: SUS
PLATING:
 Contact: Au Plated on contact area
 Tin Plated on solder area
 Nickel underplating over all
 Shell: Nickel Plated
 operating Temperature:-55' +85'



CMTDDZ



料号备注

T10-3 F 241 D XXX XX XX X

- 01=半金壳插1U"
- 03=半金壳插5U"
- 06=半金壳插15U"
- 06=半金壳插30U"
- 12=半金壳插1U"
- 14=半金壳插5U"
- 16=半金壳插15U"
- 16=半金壳插30U"

R=PACK-R0008
 A=PACK-R0040

- 00=LCP黑色 不锈钢壳镀镍
- 01=LCP蓝色 不锈钢壳镀镍
- R=ROHS2.0标准
- W=无齿+ROHS2.0
- H=REACH标准
- B=盐雾24H
- C=盐雾48H

东莞市田都电子有限公司

DongGuan TianDu Electronics Co.,Ltd

| Pin Number | Signal Name | Pin Number | Signal Name |
|------------|-------------|------------|-------------|
| 1 | VBUS | 5 | SSRX- |
| 2 | D- | 6 | SSRX+ |
| 3 | D+ | 7 | GND |
| 4 | GND | 8 | SSTX- |
| Shell | Shield | 9 | SSTX+ |

| UNLESS OTHERWISE SPECIFIED TOLERANCES | | APPROVAL | 日期 | 品名规格 | USB AF 3.0侧插一新模 (5PIN头部无连料型, 四直脚, 脚长2.25) | |
|---------------------------------------|------|---------------------|------------|------|---|---------------------|
| .X | +/- | 制图 | 2011.07.25 | 审核 | 料号 | SEE TABLE |
| .XX | +/- | 核准 | | 文件位置 | 字张 | 工程图号: TDU-USBAF-301 |
| FRACTIONS | +/- | ANGLE OF PROJECTION | | 比例 | 1 : 1 | 状态码 A |
| ANGLES | +/- | DIMENSIONS | | 页码 | 1 OF 1 | 版本 B0 |
| (METRIC) | (MM) | | | | | |