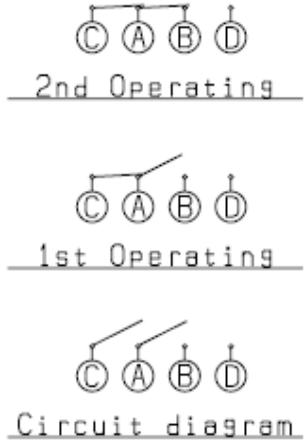
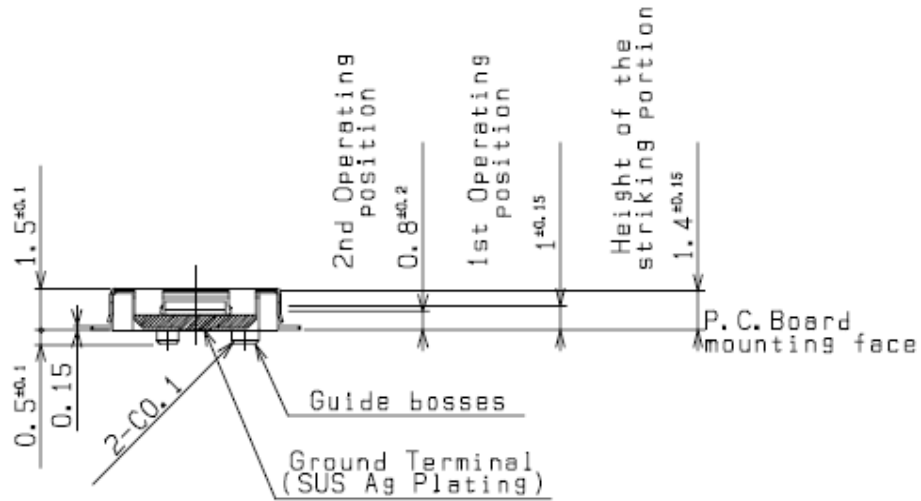
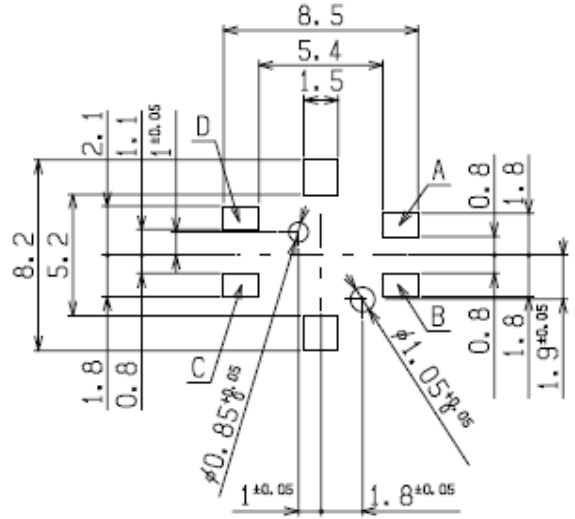
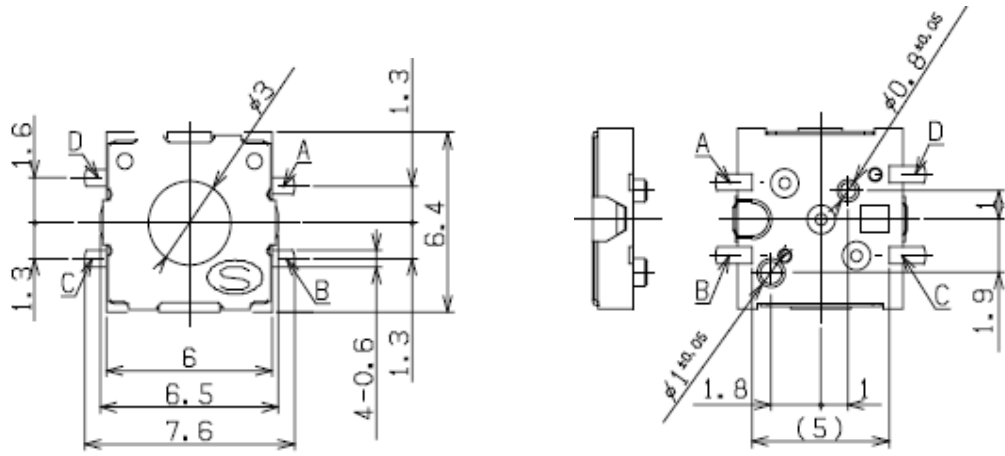


CAD FILE:

MODEL NO.	XX	T(TRAVEL)
T6-6465S-XX-T	10=10GF	1=1st
	25=250GF	2=2nd



SPECIFICATIONS	
Rating	50mA 12V DC
Travel	1st 0.4±0.15mm 2nd 0.6±0.1mm
Contact Resistance	≤ 100 mΩ
Operating temperature	-20℃ ~ 70℃( 45% ~ 85% RH )
Operating Force	100±50gf /250±50gf
Operating Life	100,000 Cycles

8				
7				
6				
5	DUST COVER	SILICA GEL	1	WHITE
4	COVER	SUS	1	SILVERING
3	TERMINAL	PHOSPHORUS COPPER	4	PLATING SILVER
2	REED	SUS	1	SILVER COVERED
1	BASE	LCP	1	BLACK
NO.	PARTS	MATERIALS	Q'TY	FINISH

TOLERANCE UNLESS SPECIFIED		THESE DRAWINGS AND SPECIFICATIONS ARE THE PROPERTY OF DONGGUAN TIANDU ELECTRONICS CO.,LTD. AND SHALL NOT BE REPRODUCED, COPIED OR USED IN ANY MANNER WITHOUT THE PRIOR WRITTEN CONSENT OF DONGGUAN TIANDU ELECTRONICS CO., LTD			DESCRIPTIONS OF REVISION		APPD.
WITHIN 1.5mm : ±0.1mm OVER 1.5mm : ±0.2mm							
TITLE : TACT SWITCH			UNIT : mm	DRWG NO.: CMTDDZ-T6-6465S-00			
MODEL: T6-6465S-XX-T			SCALE: 3:1	DWN.	ERIC	2013-6-17	
CMTDDZ 东莞市田都电子有限公司 DONGGUAN TIANDU ELECTRONICS CO.,LTD.			CHK'D		MAIKO	2013-6-17	
			APPD.		Coco	2013-6-17	