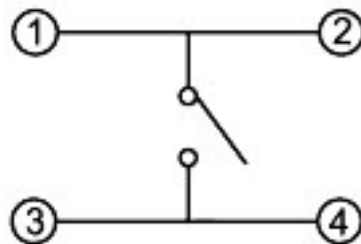
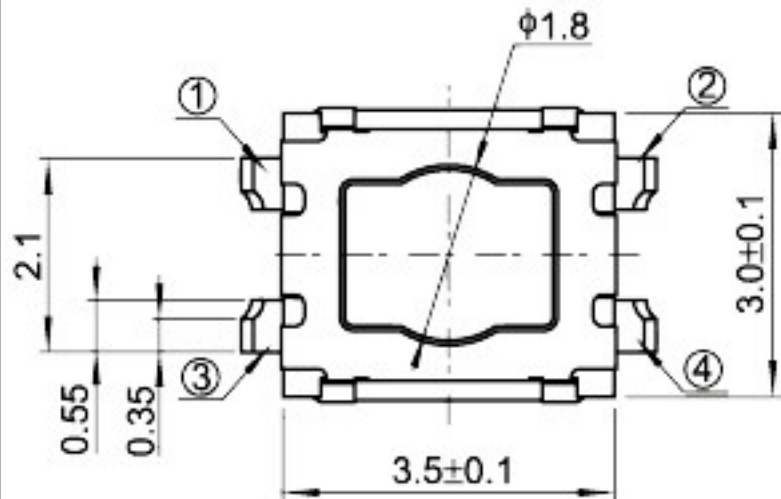
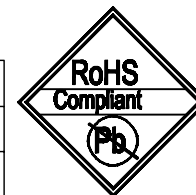
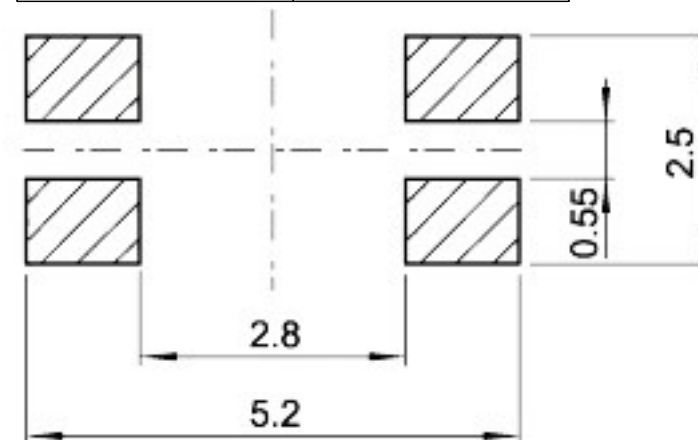


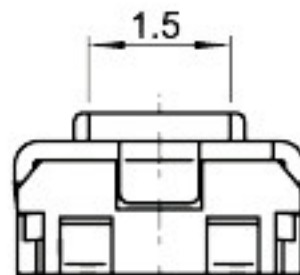
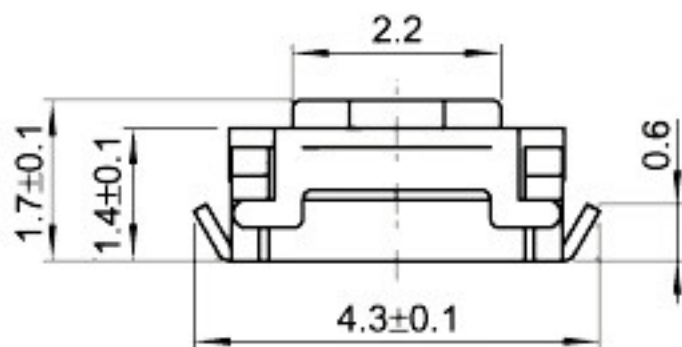
CAD FILE:



MODEL NO.	XX
T6-3035S1-XX	16=160gf
	20=200gf
	40=400gf



P.C.B. LAND PATTERN



SPECIFICATIONS

Rating	50mA 12V DC
Travel	0.12mm
Contact Resistance	≤ 100 mΩ
Operating temperature	-20℃ ~ 70℃(45% ~ 85% RH)
Operating Force	160±50gf/200±50gf/400±80gf
Operating Life	200,000 Cycles

8				
7				
6				
5	COVER	SUS	1	PLATING NICKEL
4	KEYSTOKE	NYLON	1	BLACK
3	TERMINAL	PHOSPHOR BRONZE	4	PLATING SILVER
2	CONTACT	F.Ag/SUS	2	NATURAL
1	BASE	NYLON	1	BLACK
NO.	PARTS	MATERIALS	Q'TY	FINISH

TOLERANCE
UNLESS SPECIFIED
WITHIN 1.5mm : ±0.1mm
OVER 1.5mm : ±0.2mm

THESE DRAWINGS AND SPECIFICATIONS ARE THE PROPERTY OF DONGGUAN TIANDU ELECTRONICS CO.,LTD. AND SHALL NOT BE REPRODUCED, COPIED OR USED IN ANY MANNER WITHOUT THE PRIOR WRITTEN CONSENT OF DONGGUAN TIANDU ELECTRONICS CO., LTD

DESCRIPTIONS OF REVISION APPD.

TITLE : TACT SWITCH		UNIT : mm	DRWG NO.: CMTDDZ-T6-3035S1-00		
MODEL: T6-3035S1-XX		SCALE: 3:1	DWN.	ERIC	2013-6-17
CMTDDZ 东莞市田都电子有限公司 DONGGUAN TIANDU ELECTRONICS CO.,LTD.			CHK'D	MAIKO	2013-6-17
			APPD.	Coco	2013-6-17