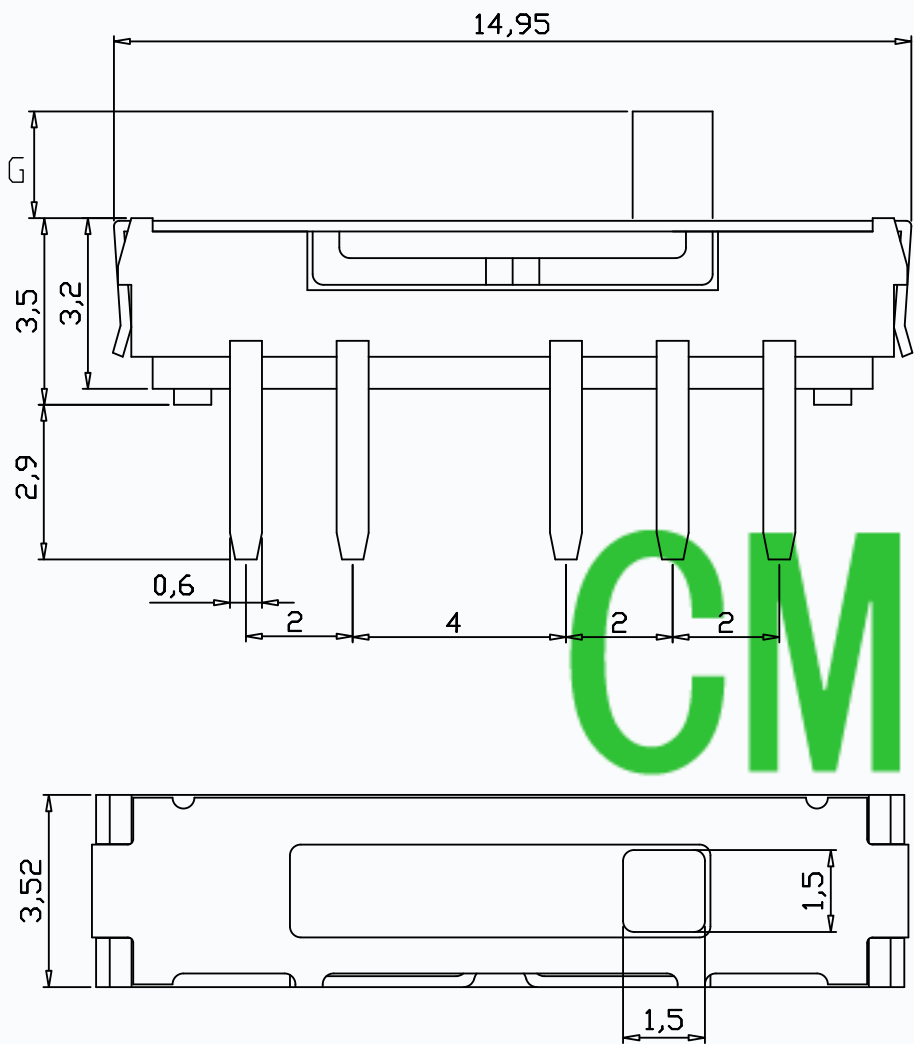
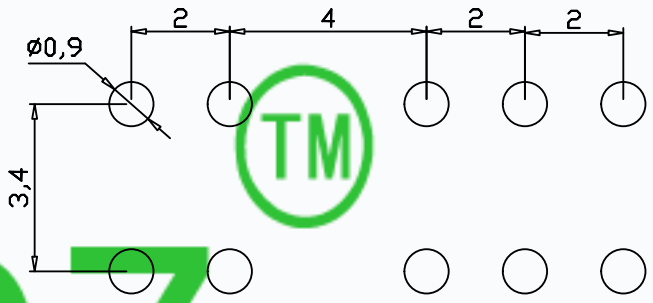
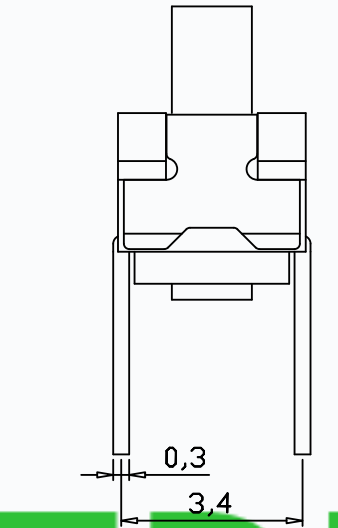
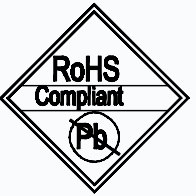


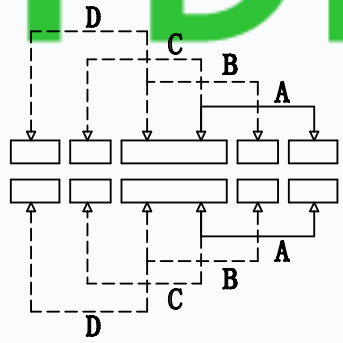
CAD FILE:



MODEL NO.	KNOB(G)
T1-2436D-G	(2~8)mm



CMTDDZ



SPECIFICATIONS	
Rating	0.3A 6V DC
Insulation Resistance	> 100 M Ω
Dielectric Withstanding Voltage	500V 0.5mA/min
Contact Resistance	< 70 m Ω
Operating Force	200gf \pm 100gf
Operating Life	10,000 cycles

NO.	PARTS	MATERIALS	Q'TY	FINISH
8				
7				
6				
5	CLIP	BEUC	2	Ag PLATED
4	TERMINAL	PHOSPHOR BRONZE	10	Ag PLATED
3	CASE	PA46	1	BLACK
2	COVER	SUS	1	Nature
1	SLIDER	PA46	1	BLACK

TOLERANCE UNLESS SPECIFIED				
WITHIN 1.5mm	± 0.1 mm	A	2014-8-31	TIANDU ELECTRONICS
OVER 1.5mm	± 0.2 mm	ISSUE	DATE	DESCRIPTIONS OF REVISION APPD.
TITLE : MINI SLIDE SWITCH			UNIT : mm	DRWG NO.:CMTDDZ-T1-2436D-00
MODEL: T1-2436D-G			SCALE:3:1	DWN. ERIC 2014-8-31
CMTDDZ 东莞市田都电子有限公司 DONGGUAN TIANDU ELECTRONICS CO.,LTD.			CHK'D	MAIKO 2014-8-31
			APPD	Coco 2014-8-29