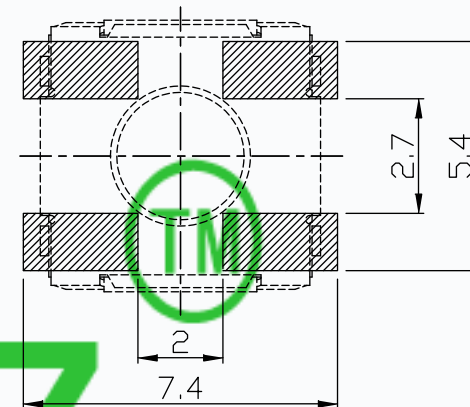
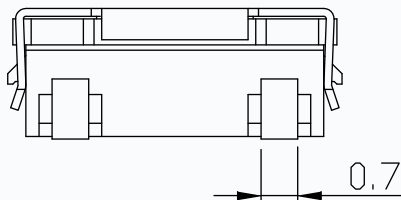
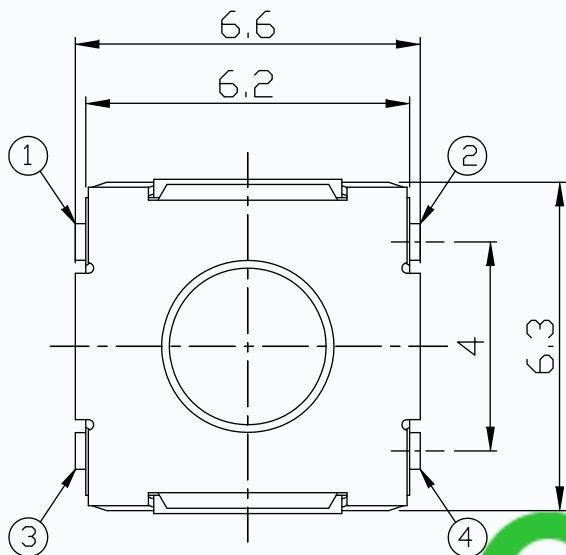


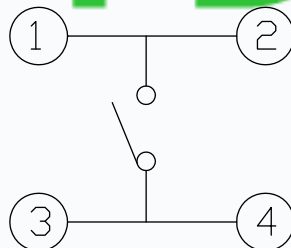
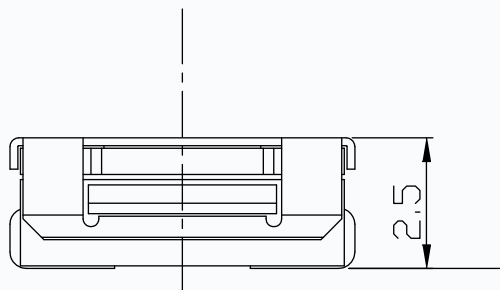
CAD FILE:

MODEL NO.	XX
T6-626225US-XX	16=160GF
	20=200GF
	30=300GF



P.C.B. LAND PATTERN

CMTDDZ



CIRCUIT DIAGRAM

SPECIFICATIONS

Rating	50mA 12V DC
Travel	0.3±0.1mm
Contact Resistance	≤ 100 mΩ
Operating temperature	-20℃ ~ 70℃(45% ~ 85% RH)
Operating Force	160±50/200±50/300±80gf
Operating Life	80,000 Cycles for 160/200gf, 50,000 Cycles for 300gf

NO.	PARTS	MATERIALS	Q'TY	FINISH
8				
7				
6				
5	KNOB	PA46	1	WHITE
4	COVER	SPCC	1	PLATING SN
3	TERMINAL	COPPER	4	PLATING SILVER
2	CONTACT	F.Ag/C5210	1	---
1	BASE	PA46	1	BLACK

TOLERANCE UNLESS SPECIFIED
 WITHIN 1.5mm : ±0.1mm
 OVER 1.5mm : ±0.2mm

THESE DRAWINGS AND SPECIFICATIONS ARE THE PROPERTY OF DONGGUAN TIANDU ELECTRONICS CO.,LTD. AND SHALL NOT BE REPRODUCED, COPIED OR USED IN ANY MANNER WITHOUT THE PRIOR WRITTEN CONSENT OF DONGGUAN TIANDU ELECTRONICS CO., LTD

DESCRIPTIONS OF REVISION APPD.

TITLE : TACT SWITCH		UNIT : mm	DRWG NO.: CMTDDZ-T6-626225US-00		
MODEL: T6-626225US-XX		SCALE: 3:1	DWN.	ERIC	2013-6-17
CMTDDZ 东莞市田都电子有限公司 DONGGUAN TIANDU ELECTRONICS CO.,LTD.		APPD.	CHK'D	MAIKO	2013-6-17
				Coco	2013-6-17