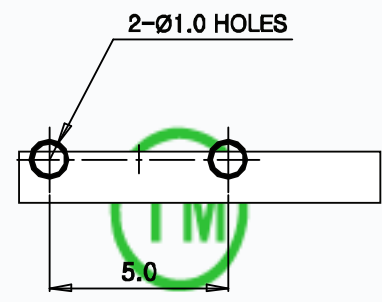
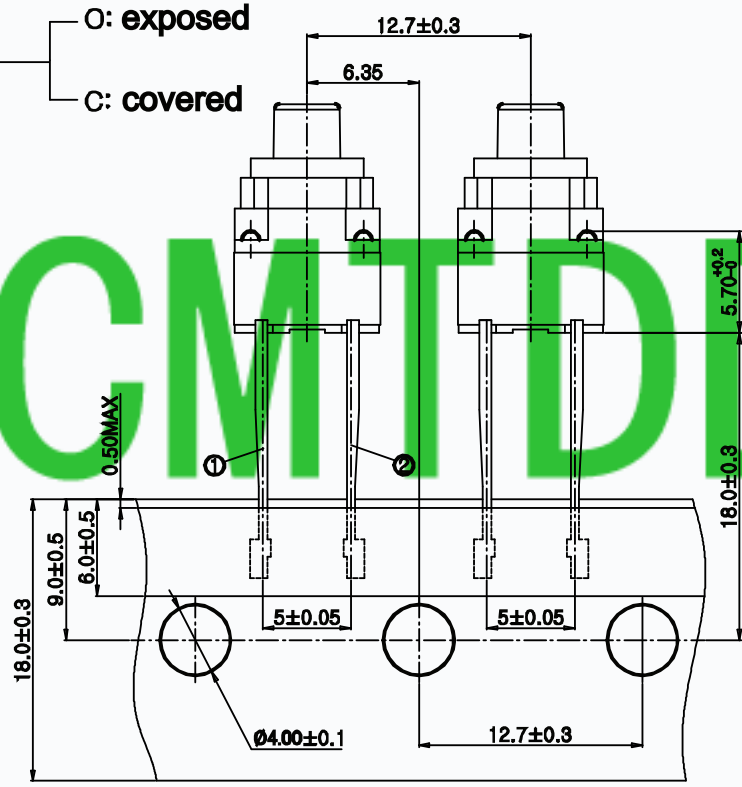
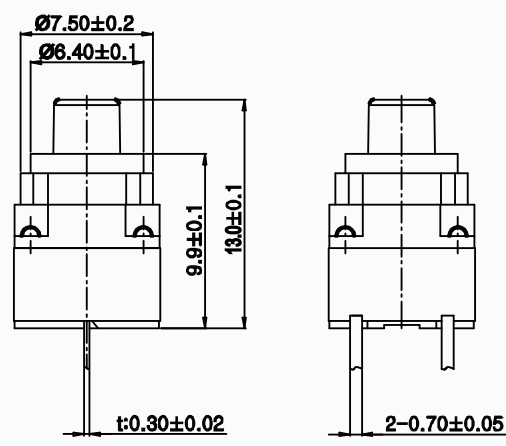
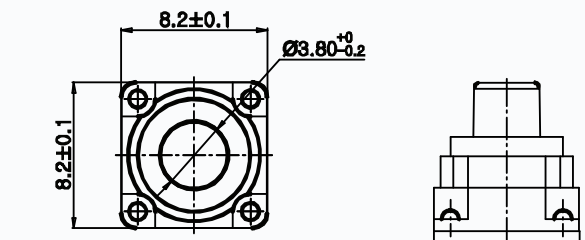




CIRCUIT DIAGRAM



P.C.B. LAND PATTERN

SPECIFICATIONS

| | |
|-----------------------|-----------------------------|
| Rating | 50mA 12V DC |
| Travel | 0.25±0.1mm |
| Contact Resistance | ≤ 100 mΩ |
| Operating temperature | -20℃ ~ 70℃ (45% ~ 85% RH) |
| Operating Force | 250±50gf |
| Operating Life | 100,000 Cycles |
| I _p Rating | IP67 |

| NO. | PARTS | MATERIALS | Q'TY | FINISH |
|-----|---------------------|----------------|------|----------------|
| 8 | GUST FILM | PLOYIMIDE TAPE | 1 | ---- |
| 7 | GASKET | PPA | 1 | BLACK |
| 6 | KNOB | PPA | 1 | BLACK |
| 5 | COVER | PPA | 1 | BLACK |
| 4 | WATERPROOF SILICONE | SILICA GEL | 1 | BLACK |
| 3 | TERMINAL | BRASS | 2 | SILVERING |
| 2 | CONTACT | SUS | 1 | SILVER COVERED |
| 1 | BASE | PPA | 1 | BLACK |

TOLERANCE
UNLESS SPECIFIED
WITHIN 1.5mm : ±0.1mm
OVER 1.5mm : ±0.2mm

THESE DRAWINGS AND SPECIFICATIONS ARE THE PROPERTY OF DONGGUAN TIANDU ELECTRONICS CO.,LTD. AND SHALL NOT BE REPRODUCED, COPIED OR USED IN ANY MANNER WITHOUT THE PRIOR WRITTEN CONSENT OF DONGGUAN TIANDU ELECTRONICS CO., LTD

DESCRIPTIONS OF REVISION APPD.

| | | | | | |
|--|--|------------|-------------------------------|-------|-----------|
| TITLE : WATERPROOF SWITCH | | UNIT : mm | DRWG NO.: CMTDDZ-T6-8080AD-00 | | |
| MODEL: T6-8080AD | | SCALE: 3:1 | DWN. | ERIC | 2013-6-17 |
| CMTDDZ 东莞市田都电子有限公司 DONGGUAN TIANDU ELECTRONICS CO.,LTD. | | APPD. | CHK'D | MAIKO | 2013-6-17 |
| | | | APPD. | Coco | 2013-6-17 |