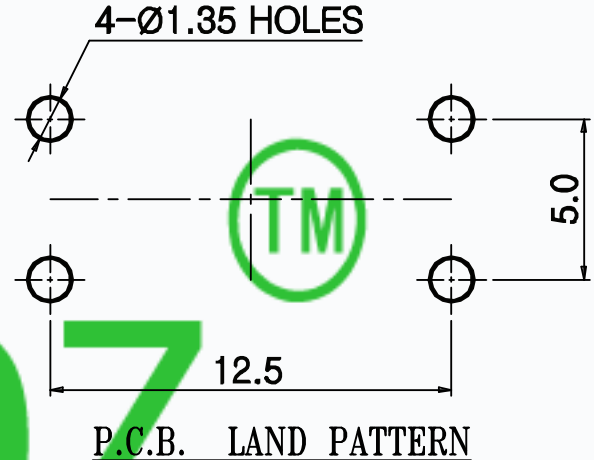
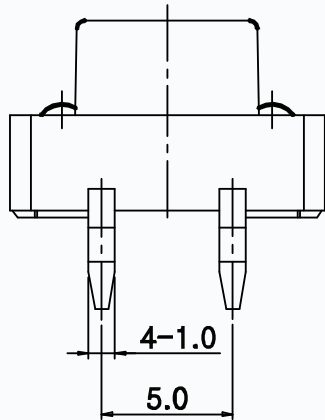
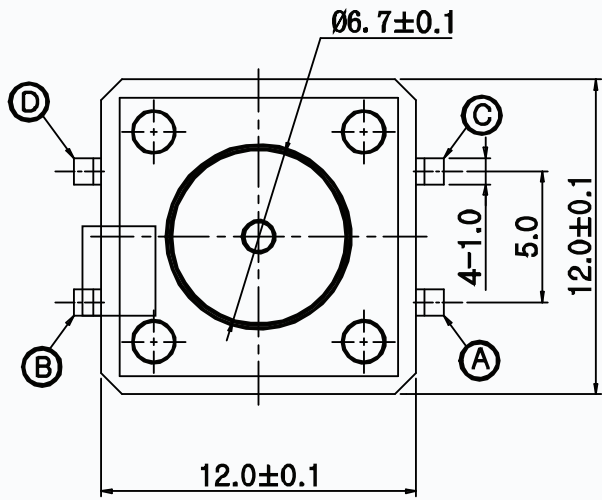
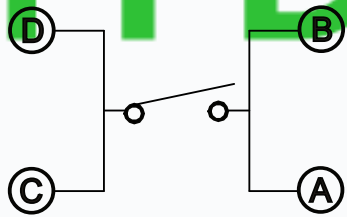
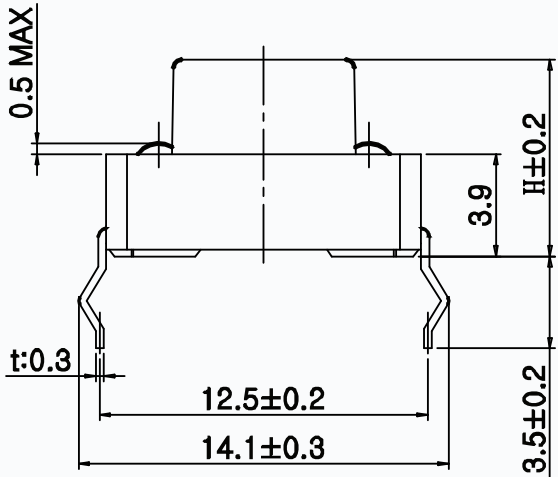


CAD FILE:

MODEL NO.	XX	H(mm)
T6-1212FD-XX-H	18=180gf	4.3~20
	25=250gf	



CMTDDZ



CIRCUIT DIAGRAM

SPECIFICATIONS	
Rating	50mA 12V DC
Travel	0.25±0.1mm
Contact Resistance	≤ 100 mΩ
Operating temperature	-20℃ ~ 70℃ (45% ~ 85% RH)
Operating Force	180±50gf/250±50gf
Operating Life	100,000 Cycles

NO.	PARTS	MATERIALS	Q'TY	FINISH
8				
7				
6				
5	COVER	SPCC	1	PLATING NICKEL
4	KEYSTOKE	NYLON	1	BLACK/WHITE
3	TERMINAL	BRASS	4	PLATING SILVER
2	CONTACT	SUS	1	Ag CLAD
1	BASE	NYLON	1	BLACK

TOLERANCE UNLESS SPECIFIED		THESE DRAWINGS AND SPECIFICATIONS ARE THE PROPERTY OF DONGGUAN TIANDU ELECTRONICS CO.,LTD. AND SHALL NOT BE REPRODUCED, COPIED OR USED IN ANY MANNER WITHOUT THE PRIOR WRITTEN CONSENT OF DONGGUAN TIANDU ELECTRONICS CO., LTD		DESCRIPTIONS OF REVISION		APPD.	
WITHIN 1.5mm : ±0.1mm							
OVER 1.5mm : ±0.2mm							
TITLE : TACT SWITCH				UNIT : mm		DRWG NO.: CMTDDZ-T6-1212FD-00	
MODEL: T6-1212FD-XX-H				SCALE: 3:1		DWN. ERIC 2013-6-17	
CMTDDZ 东莞市田都电子有限公司 DONGGUAN TIANDU ELECTRONICS CO.,LTD.				CHK'D MAIKO		2013-6-17	
				APPD. Coco		2013-6-17	