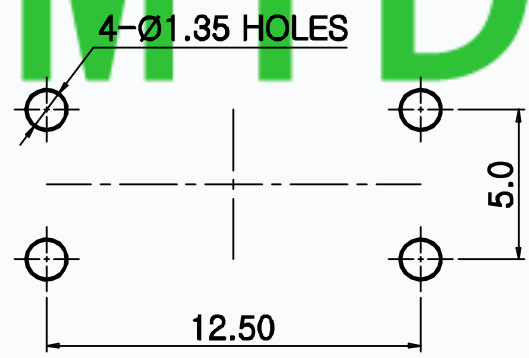
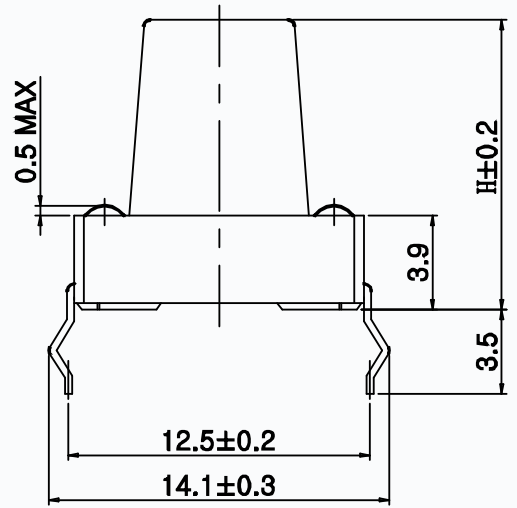
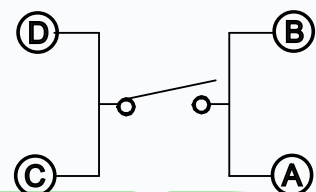
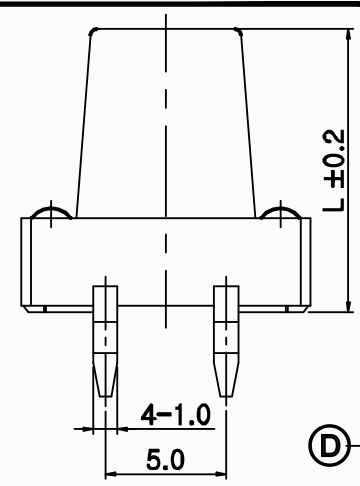
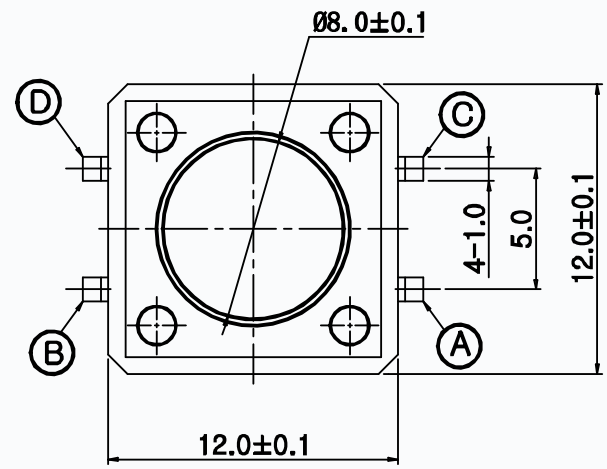


CAD FILE:



MODEL NO.	T6-1212ED-XX-H-φA			
XX	H(mm)	φA(mm)	H(mm)	φA(mm)
18=180GF	4.3	6.8	9.0	6.6
25=250GF	4.5	6.8	9.5	6.6
	5.0	6.8	10	6.0
	5.5	6.8	11	6.0
	6.0	6.8	12	6.0
	6.5	6.7	13	6.0
	7.0	6.7	14	6.0
	7.5	6.7	15	6.0
	8.0	6.7	16	6.0
	8.5	6.6	17	6.0

SPECIFICATIONS

Rating	50mA 12V DC
Travel	0.25±0.1mm
Contact Resistance	≤ 100 mΩ
Operating temperature	-20℃ ~ 70℃ (45% ~ 85% RH)
Operating Force	180±50gf/250±50gf
Operating Life	100,000 Cycles

NO.	PARTS	MATERIALS	Q'TY	FINISH
8				
7				
6	KNOB	PPA	1	BLACK
5	COVER	PPA	1	BLACK
4	WATERPROOF SILICONE	SILICA GEL	1	BLACK
3	TERMINAL	BRASS	4	SILVERING
2	CONTACT	SUS	1	SILVER COVERED
1	BASE	PPA	1	BLACK

TOLERANCE UNLESS SPECIFIED		THESE DRAWINGS AND SPECIFICATIONS ARE THE PROPERTY OF DONGGUAN TIANDU ELECTRONICS CO.,LTD. AND SHALL NOT BE REPRODUCED, COPIED OR USED IN ANY MANNER WITHOUT THE PRIOR WRITTEN CONSENT OF DONGGUAN TIANDU ELECTRONICS CO., LTD		DESCRIPTIONS OF REVISION		APPD.
WITHIN 1.5mm : ±0.1mm OVER 1.5mm : ±0.2mm				TITLE : TACT SWITCH		UNIT : mm
		MODEL: T6-1212ED-XX-H-A		SCALE: 3:1	DWN.	ERIC
		CMTDDZ 东莞市田都电子有限公司			CHK'D	MAIKO
		DONGGUAN TIANDU ELECTRONICS CO.,LTD.			APPD.	Coco
						2013-6-17
						2013-6-17
						2013-6-17