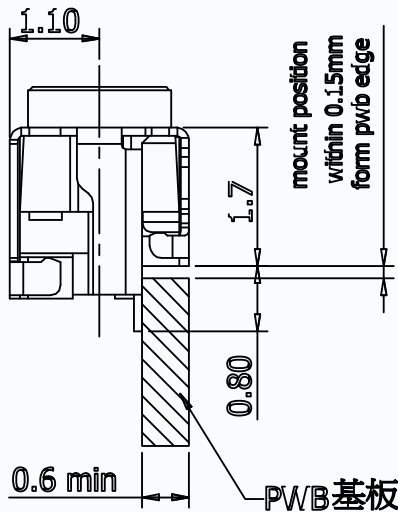
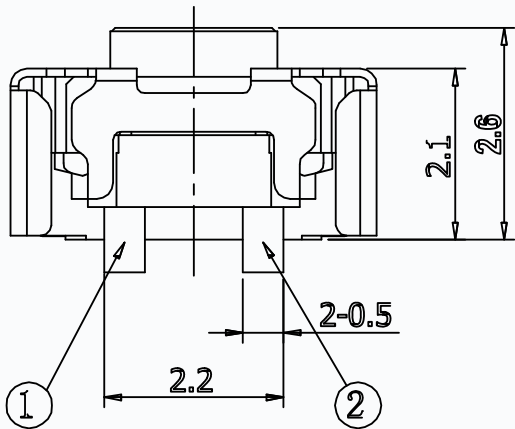
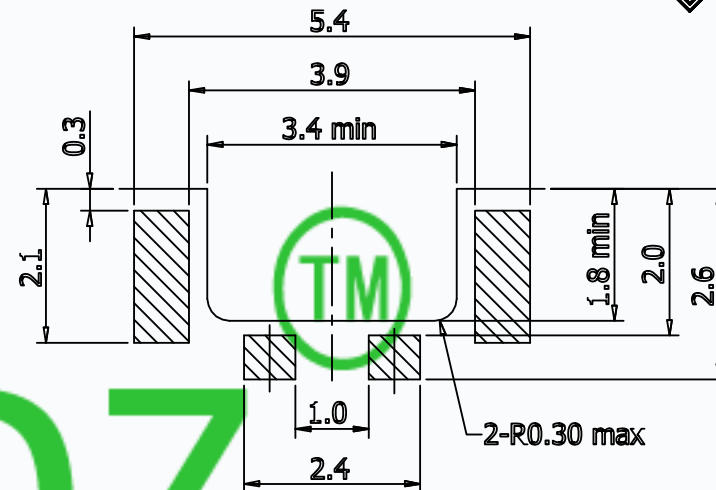


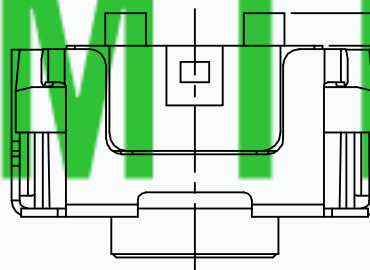
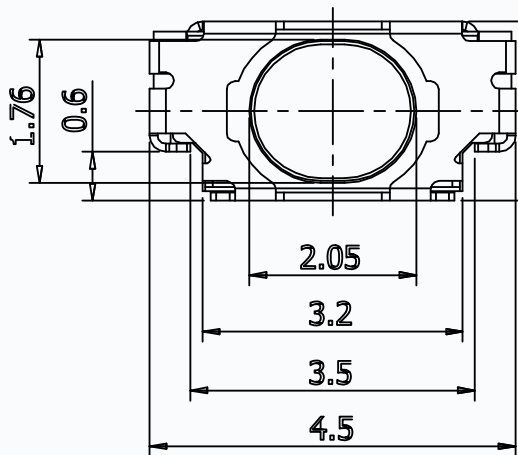
CAD FILE:



MODEL NO.	XX
T6-2245S-XX	16=160gf
	22=220gf



P.C.B. LAND PATTERN



CIRCUIT DIAGRAM

SPECIFICATIONS

Rating	50mA 12V DC
Travel	0.15±0.05mm
Contact Resistance	≤ 100 mΩ
Operating temperature	-20℃ ~ 70℃( 45% ~ 85% RH )
Operating Force	160±30gf/220±70gf
Operating Life	600,000 Cycles

NO.	PARTS	MATERIALS	Q'TY	FINISH
8				
7				
6	COVER	SUS	1	PLATING SN
5	KEYSTOKE	PA6T	1	WHITE
4	DUST COVER	KAPTON FILM	1	YELLOW
3	TERMINAL	PHOSPHOR BRONZE	2	PLATING SILVER
2	CONTACT	F.Ag/SUS	2	NATURAL
1	BASE	LCP	1	WHITE

TOLERANCE UNLESS SPECIFIED		THESE DRAWINGS AND SPECIFICATIONS ARE THE PROPERTY OF DONGGUAN TIANDU ELECTRONICS CO.,LTD. AND SHALL NOT BE REPRODUCED, COPIED OR USED IN ANY MANNER WITHOUT THE PRIOR WRITTEN CONSENT OF DONGGUAN TIANDU ELECTRONICS CO., LTD		DESCRIPTIONS OF REVISION		APPD.
WITHIN 1.5mm : ±0.1mm OVER 1.5mm : ±0.2mm				TITLE : TACT SWITCH		UNIT : mm
		MODEL: T6-2245S-XX		SCALE: 3:1	DWN.	ERIC
		CMTDDZ 东莞市田都电子有限公司			CHK'D	MAIKO
		DONGGUAN TIANDU ELECTRONICS CO.,LTD.			APPD.	Coco
						2013-6-17
						2013-6-17
						2013-6-17