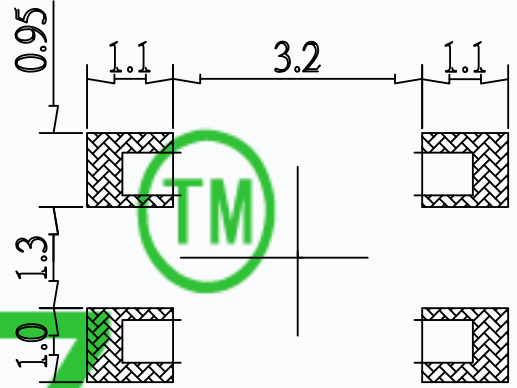
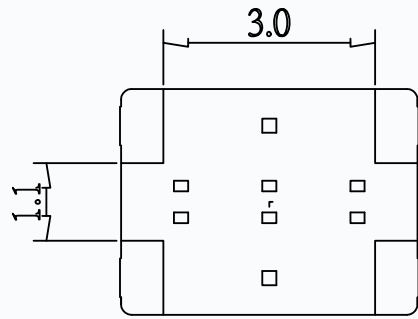
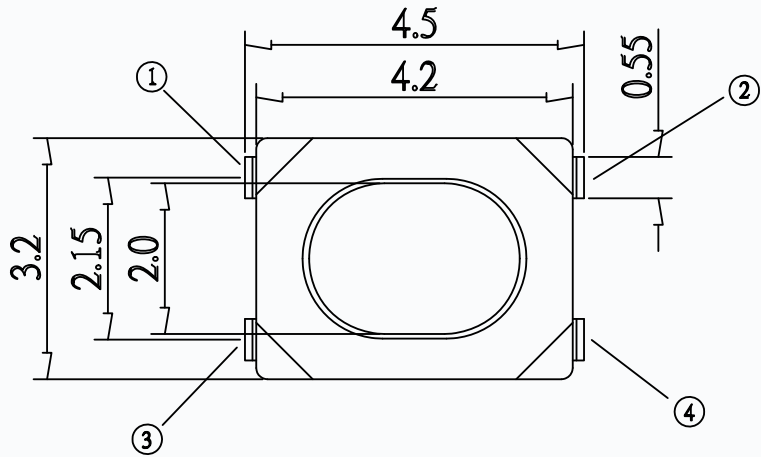
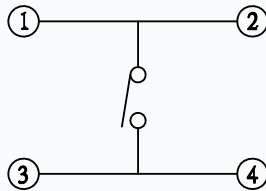
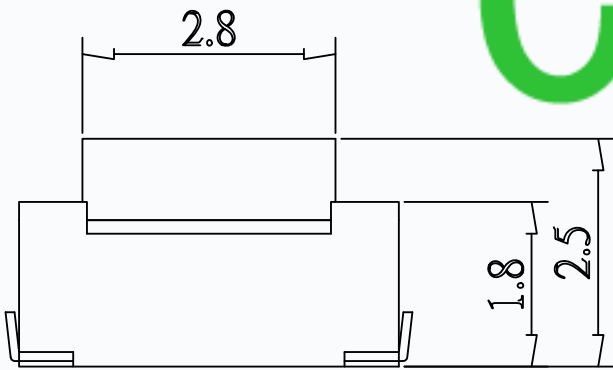


MODEL NO.	XX
T6-3040S-XX	16=160gf
	26=260gf
	32=320gf



CMTDDZ

P.C.B. LAND PATTERN



CIRCUIT DIAGRAM

SPECIFICATIONS

Rating	50mA 16V DC
Travel	0.15±0.1mm
Contact Resistance	≤ 100 mΩ
Operating temperature	-20℃ ~ 70℃(45% ~ 85% RH)
Operating Force	160±50gf/260±50gf/320±50gf
Operating Life	100,000 Cycles for 160gf 50,000 Cycles for 260gf/320gf

8				
7				
6				
5	COVER	SUS	1	NATURAL
4	KEYSTOKE	SILICA GEL	1	WHITE
3	TERMINAL	PHOSPHOR BRONZE	4	PLATING SILVER
2	CONTACT	F.Ag/SUS	1	PLATING SILVER
1	BASE	LCP	1	WHITE
NO.	PARTS	MATERIALS	Q'TY	FINISH

TOLERANCE UNLESS SPECIFIED		THESE DRAWINGS AND SPECIFICATIONS ARE THE PROPERTY OF DONGGUAN TIANDU ELECTRONICS CO.,LTD. AND SHALL NOT BE REPRODUCED, COPIED OR USED IN ANY MANNER WITHOUT THE PRIOR WRITTEN CONSENT OF DONGGUAN TIANDU ELECTRONICS CO., LTD	
WITHIN 1.5mm : ±0.1mm		DESCRIPTIONS OF REVISION	
OVER 1.5mm : ±0.2mm		APPD.	
TITLE : TACT SWITCH		UNIT : mm	DRWG NO.: CMTDDZ-T6-T6-3040S-00
MODEL: T6-3040S-XX		SCALE: 3:1	DWN. ERIC 2013-6-17
CMTDDZ 东莞市田都电子有限公司		CHK'D	MAIKO 2013-6-17
DONGGUAN TIANDU ELECTRONICS CO.,LTD.		APPD.	Coco 2013-6-17