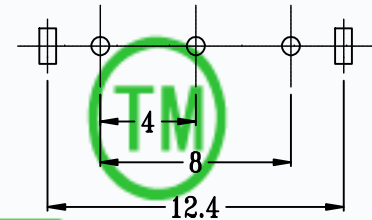
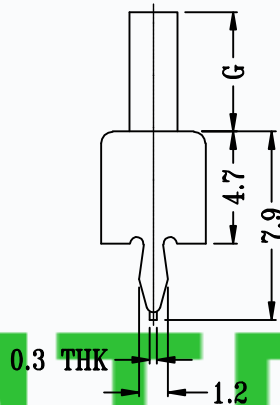
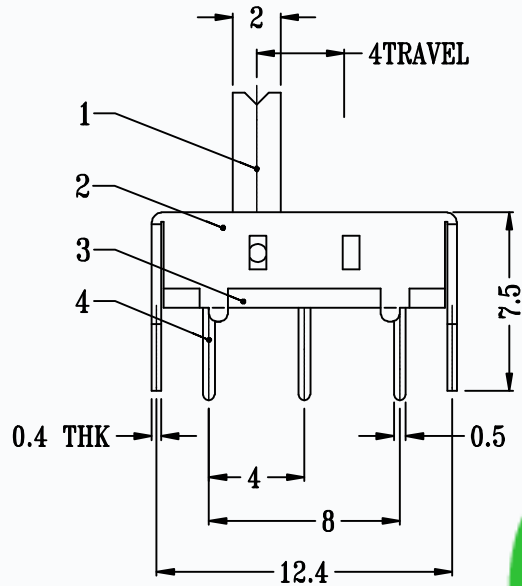


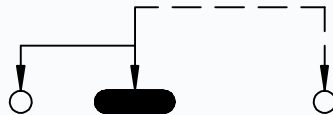
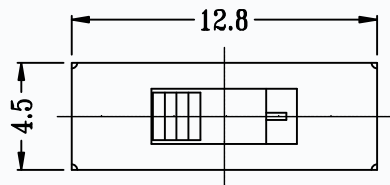
CAD FILE:

MODEL NO.	KNOB(G/VG)
T2-124001-G	(2~9)mm



P.C.B LAYOUT
BOTTOM VIEW

CMTDDZ



SCHEMATIC (NON-SHORTING)

SPECIFICATIONS

Rating	0.3A 50V DC
CIRCUIT	1P2T
Timing	NON-SHORTING
Travel	4.0mm
Contact Resistance	< 100 mΩ
Operating Force	250gf ± 100gf
Operating Life	10,000 cycles

8				
7				
6	SPRING PLATE	PBS STRIP	1	NATURAL
5	CONTACT CLIP	PBS STRIP	1	Ag PLATED
4	TERMINAL	BRASS STRIP	3	Ag PLATED
3	BASE	PHENOLIC RESIN	1	NATURAL
2	FRAME	STEEL STRIP	1	NI PLATED
1	KNOB	POM	1	BLACK
NO.	PARTS	MATERIALS	Q'TY	FINISH

TOLERANCE UNLESS SPECIFIED		THESE DRAWINGS AND SPECIFICATIONS ARE THE PROPERTY OF DONGGUAN TIANDU ELECTRONICS CO.,LTD. AND SHALL NOT BE REPRODUCED, COPIED OR USED IN ANY MANNER WITHOUT THE PRIOR WRITTEN CONSENT OF DONGGUAN TIANDU ELECTRONICS CO., LTD	DESCRIPTIONS OF REVISION		APPD.	
WITHIN 1.5mm : ±0.1mm OVER 1.5mm : ±0.2mm			TITLE : VERTICAL SLIDE SWITCH		UNIT : mm	DRWG NO.: CMTDDZ-T2-124001-00
			MODEL: T2-124001-G		SCALE: 3:1	DWN. ERIC 2013-6-17
		CMTDDZ 东莞市田都电子有限公司		CHK'D MAIKO 2013-6-17		
		DONGGUAN TIANDU ELECTRONICS CO.,LTD.		APPD. Coco 2013-6-17		