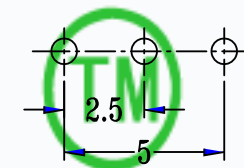
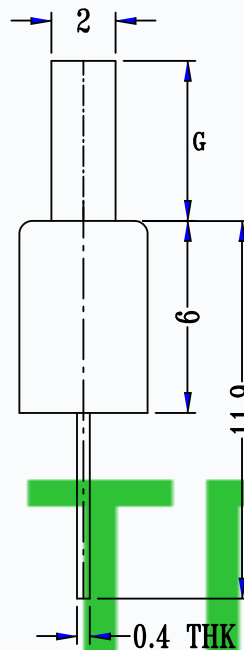
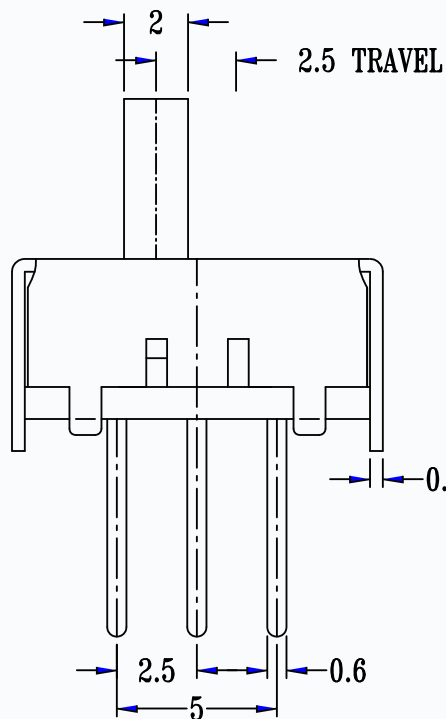
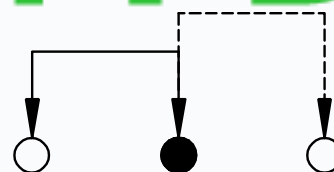
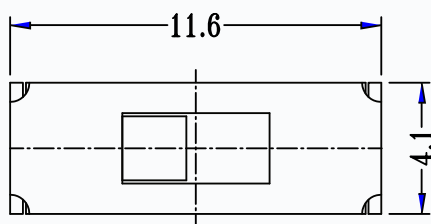




CAD FILE:



P.C.B. LAYOUT



SCHEMATIC (SHORTING)

MODEL NO.	KNOB(G/VG)
T2-122517-G	(2~8)mm



CMTDDZ

SPECIFICATIONS

Rating	0.3A 30V DC
CIRCUIT	1P2T
Timing	SHORTING
Travel	2.5mm
Contact Resistance	< 100 mΩ
Operating Force	250gf ± 100gf
Operating Life	10.000 cycles

8					TOLERANCE UNLESS SPECIFIED WITHIN 1.5mm : ±0.1mm OVER 1.5mm : ±0.2mm	THESE DRAWINGS AND SPECIFICATIONS ARE THE PROPERTY OF DONGGUAN TIANDU ELECTRONICS CO.,LTD. AND SHALL NOT BE REPRODUCED, COPIED OR USED IN ANY MANNER WITHOUT THE PRIOR WRITTEN CONSENT OF DONGGUAN TIANDU ELECTRONICS CO., LTD	DESCRIPTIONS OF REVISION		APPD.	
7										
6										
5	CONTACT CLIP	PBS STRIP	1	Ag PLATED						
4	TERMINAL	BRASS STRIP	3	Ag PLATED	TITLE : VERTICAL SLIDE SWITCH		UNIT : mm	DRWG NO.: CMTDDZ-T2-122517-00		
3	BASE	PHENOLIC RESIN	1	NATURAL	MODEL: T2-122517-G		SCALE: 3:1	DWN.	ERIC	2013-6-17
2	KNOB	POM	1	BLACK	CMTDDZ 东莞市田都电子有限公司 DONGGUAN TIANDU ELECTRONICS CO.,LTD.		CHK'D		MAIKO	2013-6-17
1	FRAME	STEEL STRIP	1	BLACK			APPD.		Coco	2013-6-17
NO.	PARTS	MATERIALS	Q'TY	FINISH						