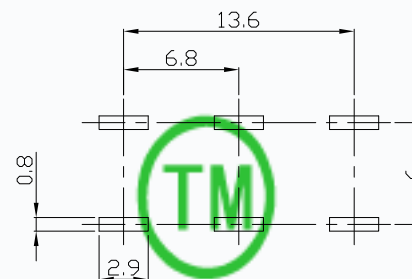
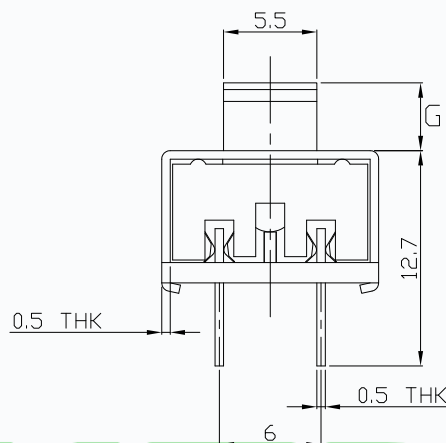
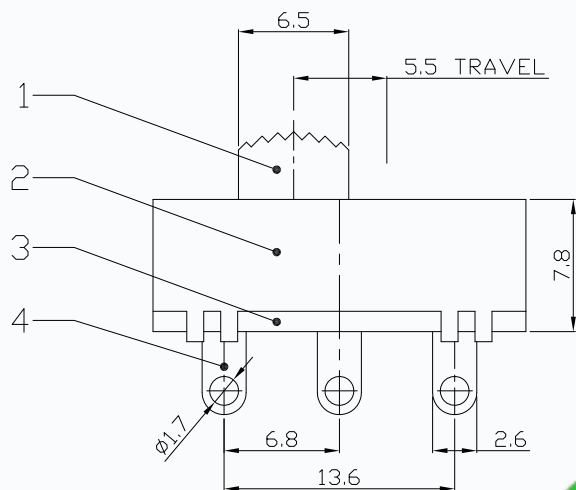


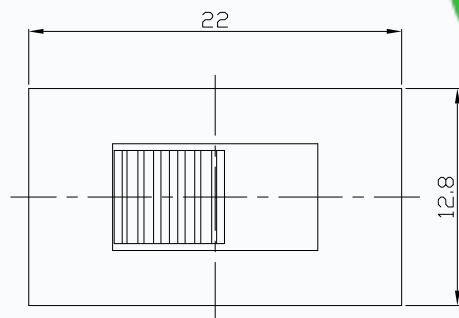
CAD FILE:



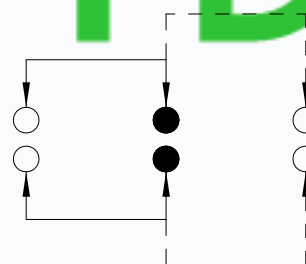
MODEL NO.	KNOB(G)
T4-227201-G	(0~15)mm



P.C.B. LAYOUT



# CMTDDZ



CIRCUIT DIAGRAM

SPECIFICATIONS

Rating	AC250V 1.5A
CIRCUIT	2P2T
Insulation Resistance	> 100 MΩ
Travel	5.5mm
Contact Resistance	< 30 mΩ
Operating Force	250gf ± 100gf
Operating Life	10,000 cycles

8	POSITION PLATE	STEEL STRIP	1	NI PLATED
7	STEEL BALL	STEEL	1	NATURAL
6	SPRING	STEEL WIRE	1	NATURAL
5	CONTACT CLIP	PBS STRIP	2	Ag PLATED
4	TERMINAL	BRASS STRIP	6	Ag PLATED
3	BASE	PHENOLIC RESIN	1	NATURAL
2	FRAME	STEEL STRIP	1	Ni PLATED
1	KNOB	POM	1	BLACK
NO.	PARTS	MATERIALS	Q'TY	FINISH

TOLERANCE UNLESS SPECIFIED	THESE DRAWINGS AND SPECIFICATIONS ARE THE PROPERTY OF DONGGUAN TIANDU ELECTRONICS CO.,LTD. AND SHALL NOT BE REPRODUCED, COPIED OR USED IN ANY MANNER WITHOUT THE PRIOR WRITTEN CONSENT OF DONGGUAN TIANDU ELECTRONICS CO., LTD	DESCRIPTIONS OF REVISION	APPD.
WITHIN 1.5mm : ±0.1mm OVER 1.5mm : ±0.2mm			
TITLE : VERTICAL SLIDE SWITCH		UNIT : mm	DRWG NO.: CMTDDZ-T4-227201-00
MODEL: T4-227201-G		SCALE: 3:1	DWN. ERIC 2013-6-17
CMTDDZ 东莞市田都电子有限公司		CHK'D MAIKO	2013-6-17
DONGGUAN TIANDU ELECTRONICS CO.,LTD.		APPD. Coco	2013-6-17