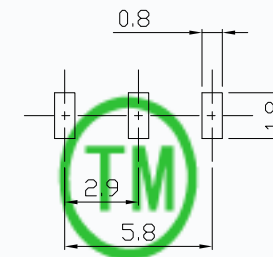
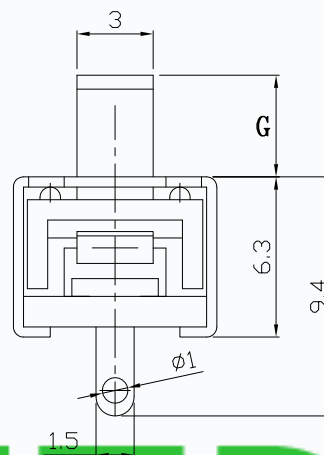
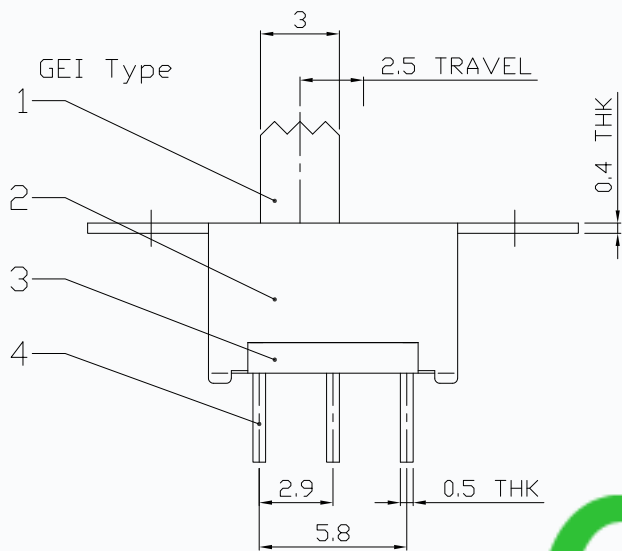


CAD FILE:

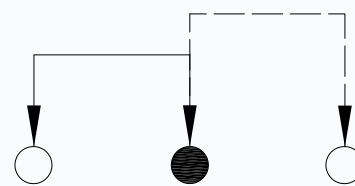
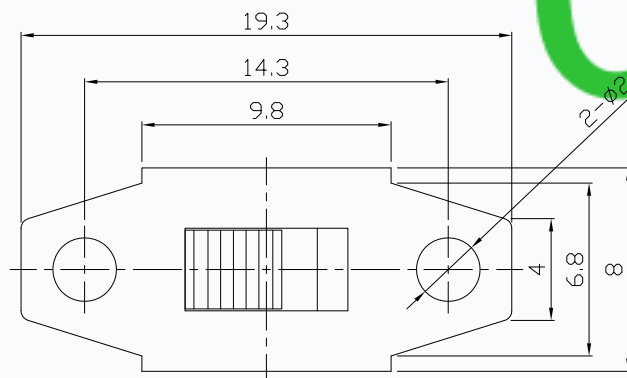


MODEL NO.	KNOB(G)
T4-122902-G	(2~10)mm



CMTDDZ

P.C.B. LAYOUT



CIRCUIT DIAGRAM

SPECIFICATIONS

Rating	AC125V 2A
CIRCUIT	1P2T
Insulation Resistance	> 100 MΩ
Travel	2.5mm
Contact Resistance	< 100 mΩ
Operating Force	250gf ± 50gf
Operating Life	10,000 cycles

NO.	PARTS	MATERIALS	Q'TY	FINISH
8				
7	STEEL BALL	STEEL	1	NATURAL
6	SPRING	STEEL WIRE	1	NATURAL
5	CONTACT CLIP	BRASS STRIP	1	Ag PLATED
4	TERMINAL	BRASS STRIP	3	Ag PLATED
3	BASE	PHENOLIC RESIN	1	BLACK
2	FRAME	STEEL STRIP	1	NI PLATED
1	KNOB	PA9T	1	BLACK

TOLERANCE UNLESS SPECIFIED		THESE DRAWINGS AND SPECIFICATIONS ARE THE PROPERTY OF DONGGUAN TIANDU ELECTRONICS CO.,LTD. AND SHALL NOT BE REPRODUCED, COPIED OR USED IN ANY MANNER WITHOUT THE PRIOR WRITTEN CONSENT OF DONGGUAN TIANDU ELECTRONICS CO., LTD		DESCRIPTIONS OF REVISION		APPD.
WITHIN 1.5mm : ±0.1mm OVER 1.5mm : ±0.2mm				TITLE : VERTICAL SLIDE SWITCH		UNIT : mm
MODEL: T4-122902-G			SCALE: 3:1	DWN.	ERIC	2013-6-17
CMTDDZ 东莞市田都电子有限公司 DONGGUAN TIANDU ELECTRONICS CO.,LTD.			CHK'D		MAIKO	2013-6-17
			APPD.		Coco	2013-6-17