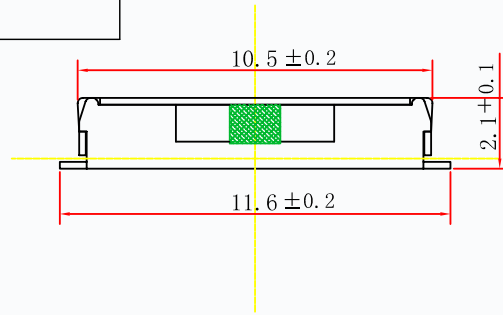
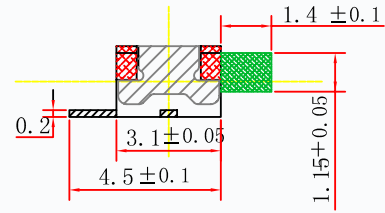
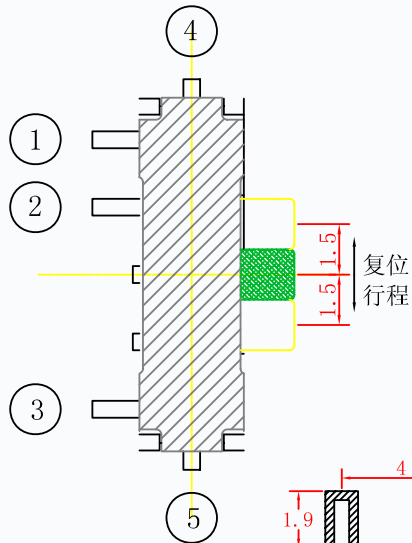
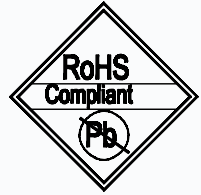


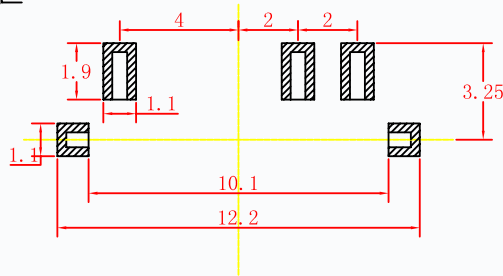
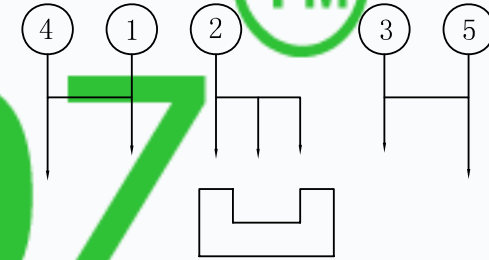
CAD FILE:



MODEL NO.	KNOB(G)
T1-2346S-G	(1.5-2)mm



CMTDDZ



SPECIFICATIONS	
Rating	0.3A 6V DC
Insulation Resistance	> 100 MΩ
Dielectric Withstanding Voltage	500V 0.5mA/min
Contact Resistance	< 70 mΩ
Operating Force	200gf ± 100gf
Operating Life	10,000 cycles

NO.	PARTS	MATERIALS	Q'TY	FINISH	TOLERANCE UNLESS SPECIFIED	ISSUE	DATE	DESCRIPTIONS OF REVISION	APPD.	
8										
7										
6	CLIP	BECU	1	Ag PLATED	WITHIN 1.5mm : ±0.1mm	A	2014-8-29	TIANDU ELECTRONICS		
5	SPRING	SUS	1	NATURE	OVER 1.5mm : ±0.2mm	ISSUE	DATE	DESCRIPTIONS OF REVISION	APPD.	
4	TERMINAL	PHOSPHOR BRONZE	3	Ag PLATED	TITLE : MINI SLIDE SWITCH		UNIT : mm	DRWG NO.:CMTDDZ-T1-2346S-00		
3	CASE	LCP	1	BLACK	MODEL: T1-2346S-G		SCALE:3:1	DWN.	ERIC	
2	COVER	BRASS	1	Ag PLATED	CMTDDZ 东莞市田都电子有限公司		2014-8-29		2014-8-29	
1	SLIDER	PA46	1	BLACK			DONGGUAN TIANDU ELECTRONICS CO.,LTD.		CHK'D	MAIKO
								APPD	Coco	2014-8-29