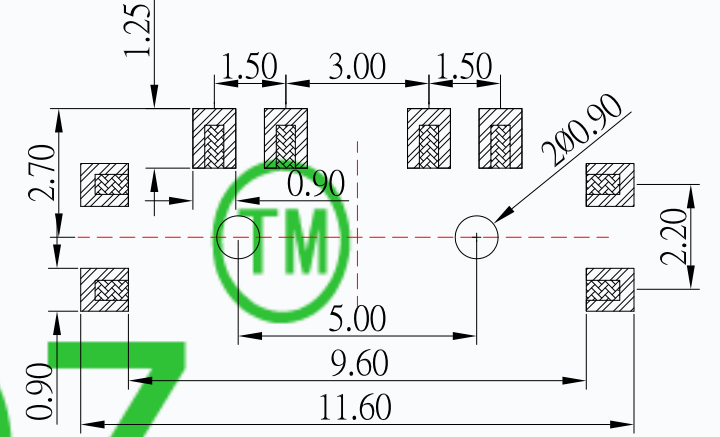
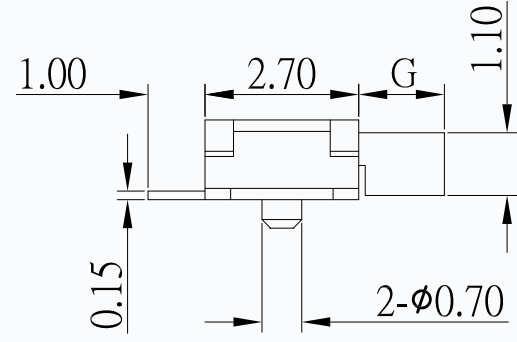
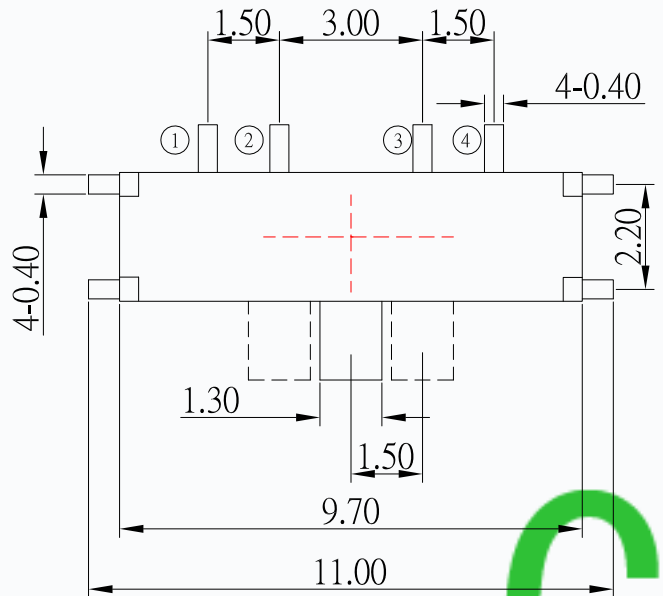


CAD FILE:

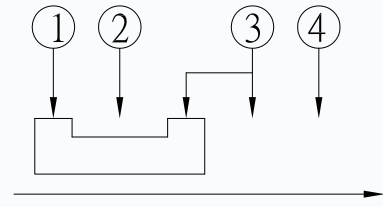
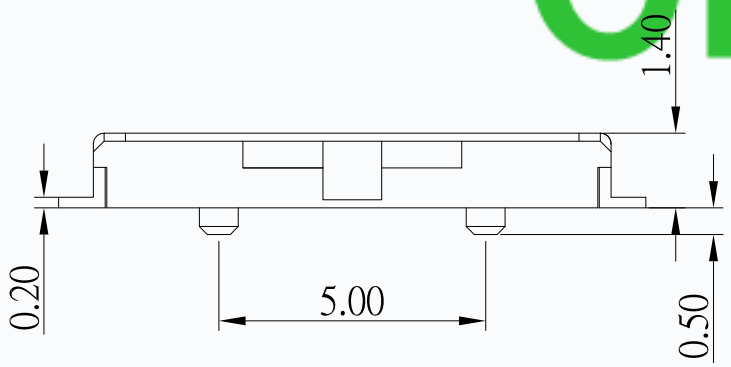


MODEL NO.	KN0B(G)
T1-1392M-G	(1.5~3)mm



P.C.B LAND PATTERN

CMTDDZ



CIRCUIT DIAGRAM

SPECIFICATIONS	
Rating	0.3A 6V DC
Insulation Resistance	> 100 MΩ
Dielectric Withstanding Voltage	500V 0.5mA/min
Contact Resistance	< 70 mΩ
Operating Force	200gf ± 50gf
Operating Life	10,000 cycles

NO.	PARTS	MATERIALS	Q'TY	FINISH
8				
7				
6				
5	CLIP	BECU	2	Ag PLATED
4	TERMINAL	PHOSPHOR BRONZE	4	Ag PLATED
3	CASE	Lcp	1	BLACK
2	COVER	SUS	1	Nature
1	SLIDER	PA46	1	BLACK

TOLERANCE UNLESS SPECIFIED					
WITHIN 1.5mm : ±0.1mm	A	2014-10-51	TIANDU ELECTRONICS		
OVER 1.5mm : ±0.2mm	ISSUE	DATE	DESCRIPTIONS OF REVISION		APPD.
TITLE : MINI SLIDE SWITCH			UNIT : mm	DRWG NO.:CMTDDZ-T1-1392M-00	
MODEL: T1-1392M-G			SCALE:3:1	DWN.	ERIC
CMTDDZ 东莞市田都电子有限公司 DONGGUAN TIANDU ELECTRONICS CO.,LTD.				CHK'D	MAIKO
				APPD	Coco
					2014-10-5
					2014-10-5
					2014-10-5