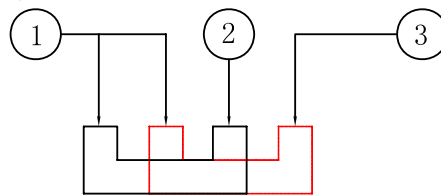
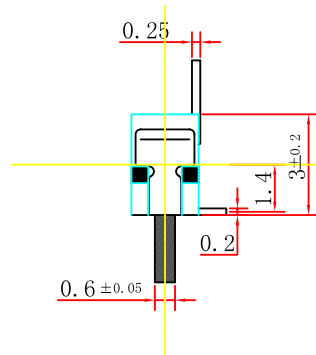
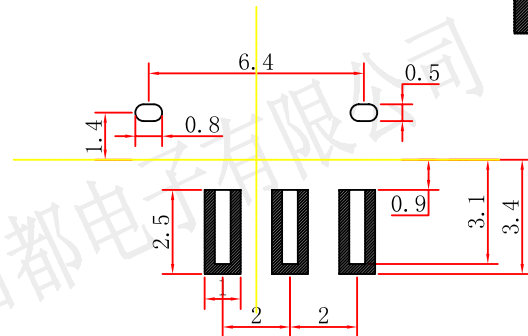
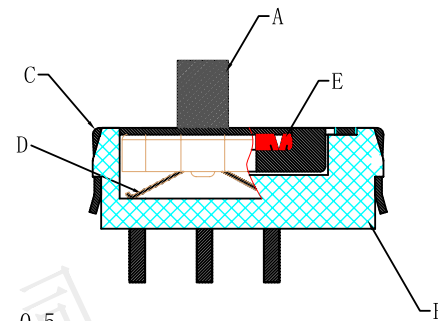
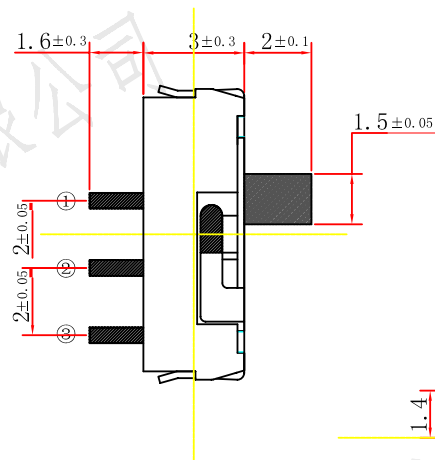
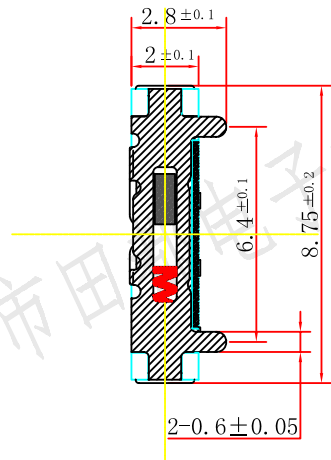


CAD FILE:



项 目	规 格
额定电负荷:	DC5V 50mA
绝缘电阻:	≥100MΩ
耐压强度:	AC250V 50Hz/1mir
电气寿命:	10000 cycles Min
环境温度:	-25 °C ~ +70 °C

NO.	PARTS	MATERIALS	Q'TY	FINISH	TOLERANCE UNLESS SPECIFIED			
8					WITHIN 1.5mm : ±0.1mm	A	2014-8-29	TIANDU ELECTRONICS
7					OVER 1.5mm : ±0.2mm	ISSUE	DATE	DESCRIPTIONS OF REVISION
6					TITLE : MINI SLIDE SWITCH			
5	CLIP	BECU	1	Ag PLATED	MODEL: MK-12D70-R-G		SCALE:3:1	DRWG NO.:TDU-MK-12D70-R-G
4	TERMINAL	BRASS STRIP	3	Ag PLATED	东莞市田都电子有限公司			DWN. ERIC 2014-8-29
3	CASE	NYLON	1	BLACK	DONGGUANSHI TIANDU ELECTRONIC CO.,LTD.			CHK'D MAIKO 2014-8-29
2	COVER	SUS	1	NATURAL				APPD Coco 2014-8-29
1	SLIDER	NYLON	1	BLACK				